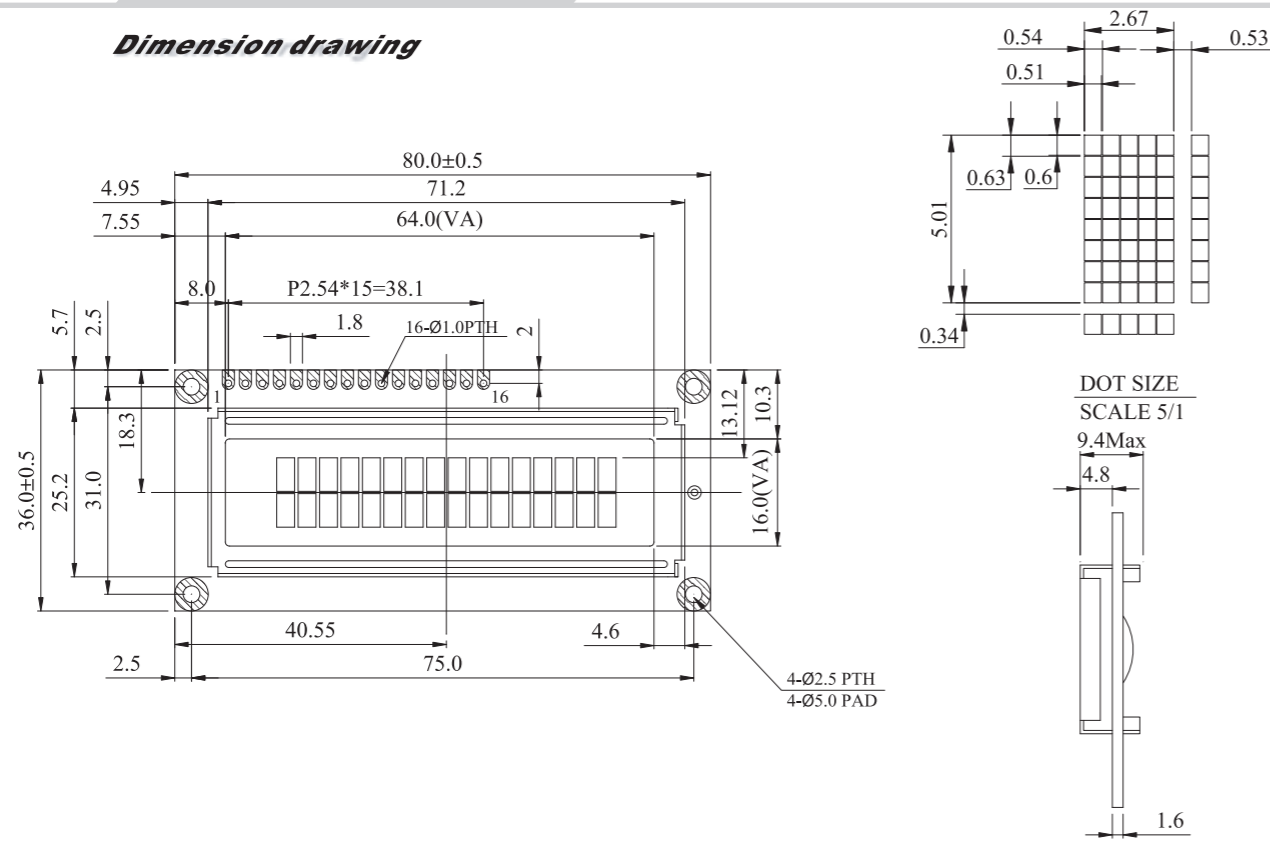


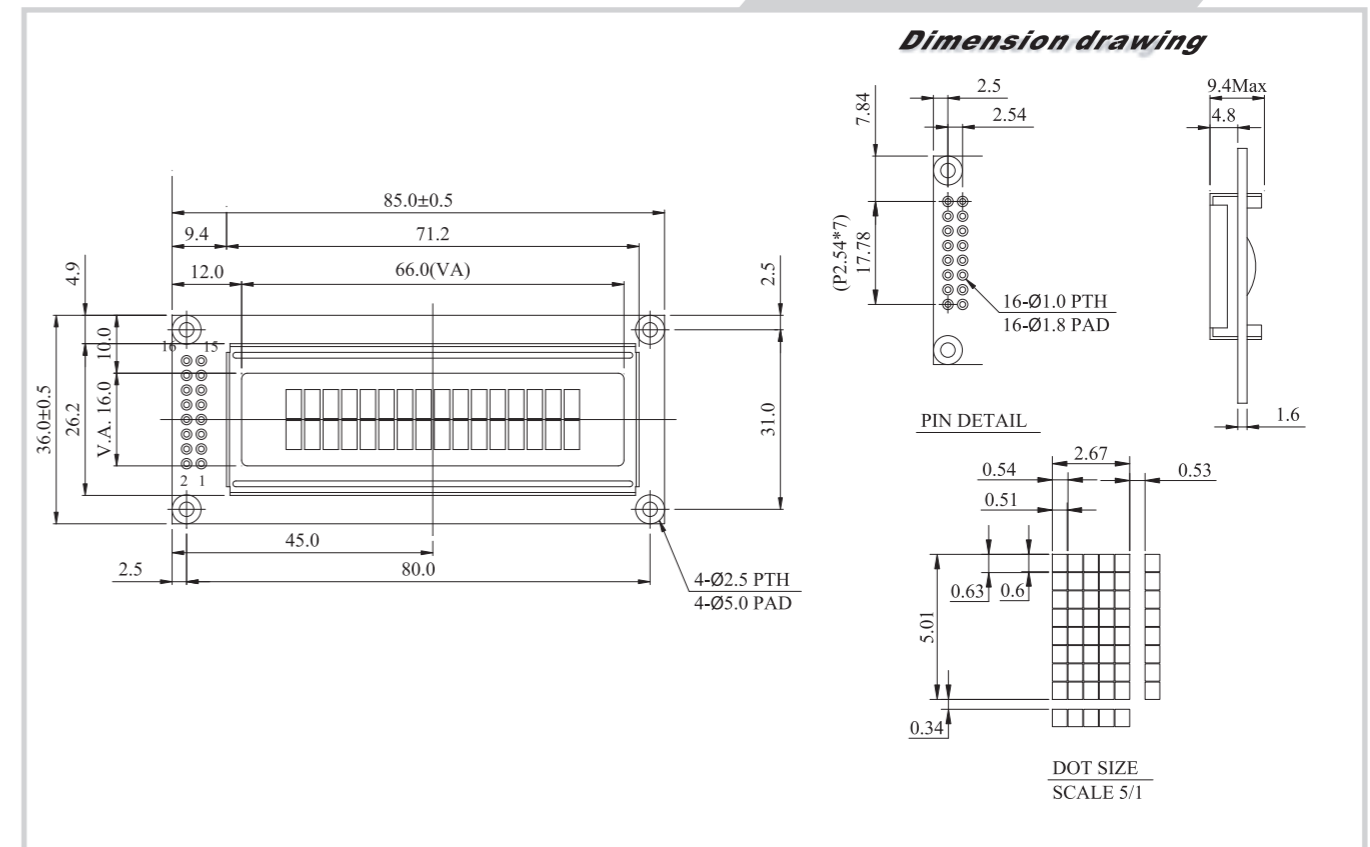
WP1602B Character 16x2

Dimension drawing



WP1602C Character 16x2

Dimension drawing



Graphic type

Feature

- 1.PLED16 Words,2 lines.
- 2.Built in controller(Compatible with HD44780)
- 3.Low power consumption
- 4.High contrast ratio and wide viewing angle
- 5.Compatible with LCD 16X2 type

Mechanical Data

Item	Standard Value	Unit
Module Dimension	80x36x9.4	mm
Viewing Area	66x16	mm
Mounting hole	75x31	mm
Character Size	2.67x5.01	mm

Absolute Maximum Rating

Symbol	Parameter	Min	Typ	Max	Unit
VDD	Supply voliage for Logic	4.5	5.0	5.5	V
Topr	Operating temperature	-20	---	50	°C
Tatg	Storage temperature	30	---	70	°C
Vbt	Brightness control voliage	2	3	5	V
Tsolder	Soldering Temperature	260°C for S seconds			
Pd	Moduid power consumption @Vbt=3V (Note 1)	50	63	113	mW
Ps	Power saving mode@Vbt=2.5V (Note2)	38	50	63	mW

Item	Operating		Storage	
	Min	Mar	Min	Max
Ambient Temperature	20°C	50°C	30°C	70°C
Humidity	45°C 85%RH		45°C 85%RH	
Corrosive gas	Not Acceptable		Not Acceptable	

Electronical Characteristics

Item	Symbol	Condition	Min	Typ	Max	Unit
Power supply voliage	VDD		4.5		5.5	V
Brightness control voliage	VBT		2	3	5	V
Power supply current	Icc	VDD=5V(Ligical only)		0.35	0.6	mA
High level input voltage	nh		0.7VDD		VDD	V
Low level input voltage	Vil		-0.3		0.55	V
Leakage current	Ii		-1		1	mA

Display Character Address Code :

Display position	1	2	3	4	5	6	7	8	9	10	11	12	13	14	15	16
DD RAM Address	00	01														0F
DD RAM Address	40	41														4F

Pin NO.	Symbol	Function
1	Vss	GND
2	Vdd	Power supply
3	Vo	Contrast Adjustment
4	RS	H/L register select signal
5	R/W	H/L Read / Write signal
6	E	H→L Enable signal
7	DB0	Data bus line
8	DB1	Data bus line
9	DB2	Data bus line
10	DB3	Data bus line
11	DB4	Data bus line
12	DB5	Data bus line
13	DB6	Data bus line
14	DB7	Data bus line
15	NC	No connection
16	NC	No connection

Feature

- 1.PLED16 Words,2 lines.
- 2.Built in controller(Compatible with HD44780)
- 3.Low power consumption
- 4.High contrast ratio and wide viewing angle
- 5.Compatible with LCD 16X2 type

Mechanical Data

Item	Standard Value	Un
Module Dimension	85x36x9.4	mm
Viewing Area	66x16	mm
Mounting hole	80x31	mm
Character Size	2.67x5.01	mm

Absolute Maximum Rating

Symbol	Parameter	Min	Typ	Max	Unit
VDD	Supply voliage for Logic	4.5	---	5.5	V
Topr	Operating temperature	-20	---	50	°C
Tatg	Storage temperature	30	---	70	°C
Vbt	Brightness control voliage	2	3	5	V
Tsolder	Soldering Temperature	260°C for S seconds			
Pd	Moduid power consumption @Vbt=3V (Note 1)	50	63	113	mW
Ps	Power saving mode@Vbt=2.5V (Note2)	38	50	63	mW

Item	Operating		Storage	
	Min	Mar	Min	Max
Ambient Temperature	20°C	50°C	30°C	70°C
Humidity	45°C 85%RH		45°C 85%RH	
Corrosive gas	Not Acceptable		Not Acceptable	

Electronical Characteristics

Item	Symbol	Condition	Min	Typ	Max	Unit
Power supply voliage	VDD		4.5		5.5	V
Brightness control voliage	VBT		2	3	5	V
Power supply current	Icc	VDD=5V(Ligical only)		0.35	0.6	mA
High level input voltage	nh		0.7VDD		VDD	V
Low level input voltage	Vil		-0.3		0.55	V
Leakage current	Ii		-1		1	mA

Display Character Address Code :

Display position	1	2	3	4	5	6	7	8	9	10	11	12	13	14	15	16
DD RAM Address	00	01														0F
DD RAM Address	40	41														4F

Character type