



MBR1H150 \ SX1H15

ULTRA LOW IR SCHOTTKY BARRIER RECTIFIERS

Voltage

150 V

Current

1 A

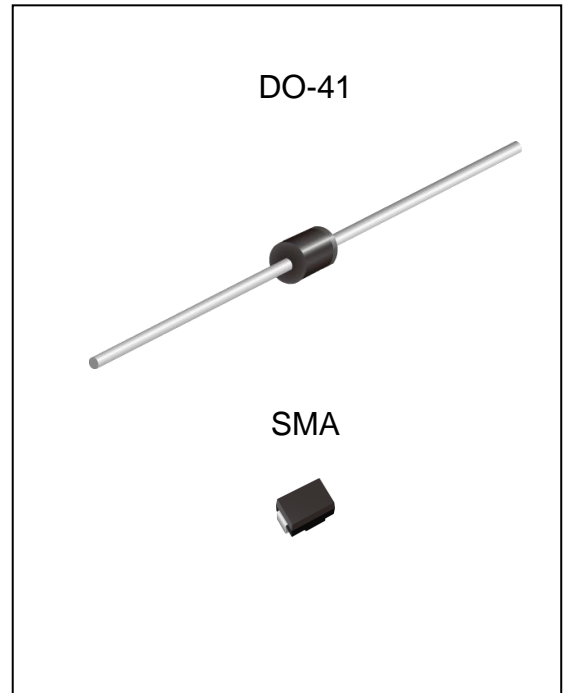
Features

- Plastic package has Underwriters Laboratory Flammability Classification 94V-O. Flame Retardant Epoxy Molding Compound.
- Low power loss, high efficiency.
- High current capability
- High junction temperature capability
- Lead free in compliance with EU RoHS 2011/65/EU directive
- Green molding compound as per IEC61249 Std. . (Halogen Free) (SMA)

Mechanical Data

- Case: SMA, DO-41 package
- Terminals: solder plated, solderable per MIL-STD-750, Method 2026
- SMA Weight: 0.0024 ounces, 0.068 grams.
- DO-41 Weight: 0.012 ounces, 0.336 grams.
- Marking: Part number

	150V
SMA	SX1H15
DO-41	MBR1H150



Maximum Ratings And Electrical Characteristics (T_A=25° C unless otherwise noted)

PARAMETER		SYMBOL	150V	UNIT
Maximum repetitive peak reverse voltage		V _{RRM}	150	V
Maximum rms voltage		V _{RMS}	105	V
Maximum dc blocking voltage		V _R	150	V
Maximum average forward rectified current		I _{F(AV)}	1	A
Peak forward surge current : 8.3ms single half sine-wave superimposed on rated load		I _{FSM}	30	A
Maximum forward voltage at 1A		V _F	0.85	V
Maximum dc reverse current at rated dc blocking voltage	T _J =25°C	I _R	0.5	μA
	T _J =125°C		1	mA
Typical thermal resistance	SMA(Note 1)	R _{θJL}	35	°C/W
	DO-41(Note 2)		47	
Operating junction temperature range		T _J	-55 to +175	°C
Storage temperature range		T _{STG}	-55 to +175	°C

Note : 1. Mounted on a FR4 PCB, single-sided copper, with 100cm² copper pad area

2. The testing condition of the thermal resistance (junction to lead) is based on 10 mm lead length between two 10cm x 10cm FR4 PCB single-sided copper pad



MBR1H150 \ SX1H15

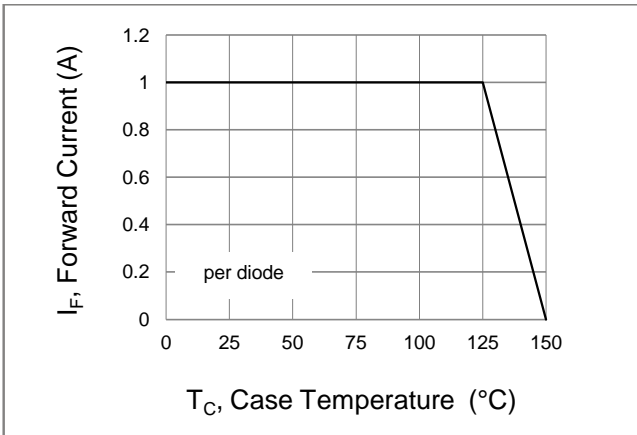


Fig.1 Forward Current Derating Curve

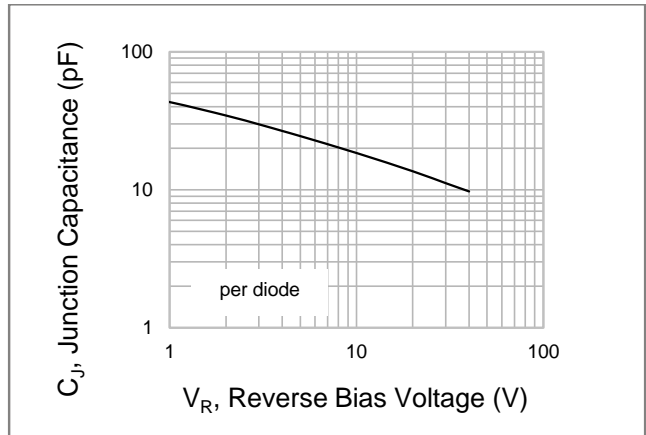


Fig.2 Typical Junction Capacitance

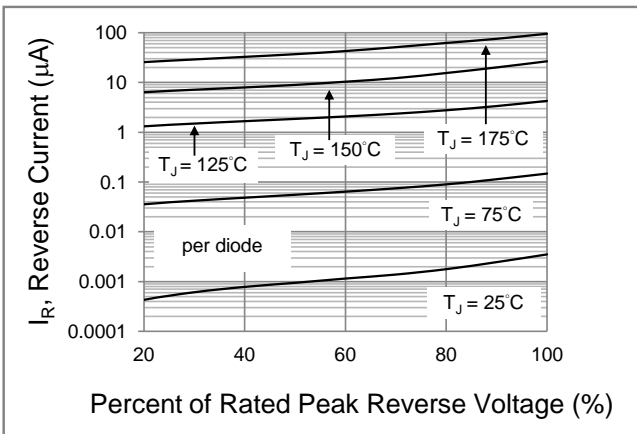


Fig.3 Typical Reverse Characteristics

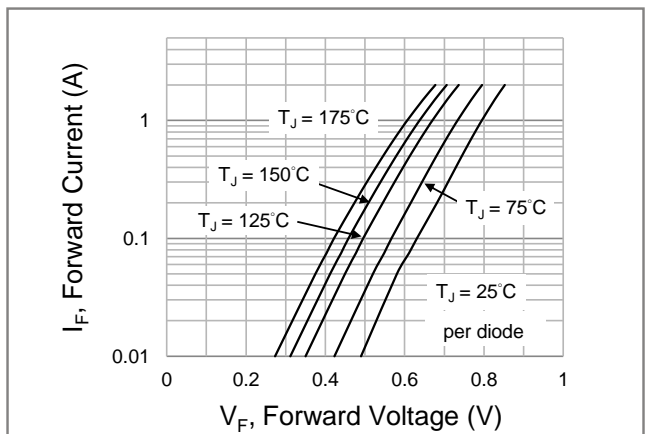


Fig.4 Typical Forward Characteristics

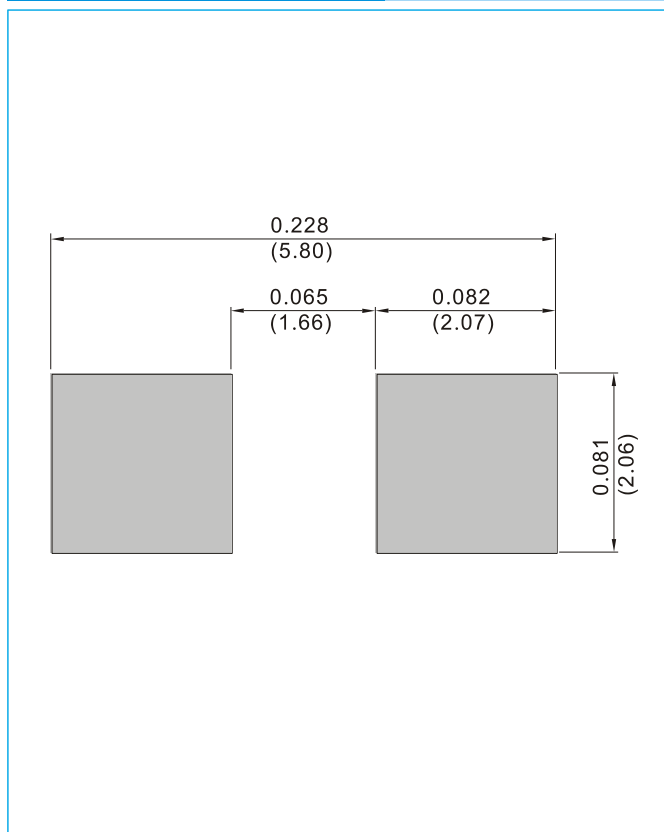


MBR1H150 \ SX1H15

MOUNTING PAD LAYOUT

SMA / DO-214AC

Unit : inch(mm)



ORDER INFORMATION

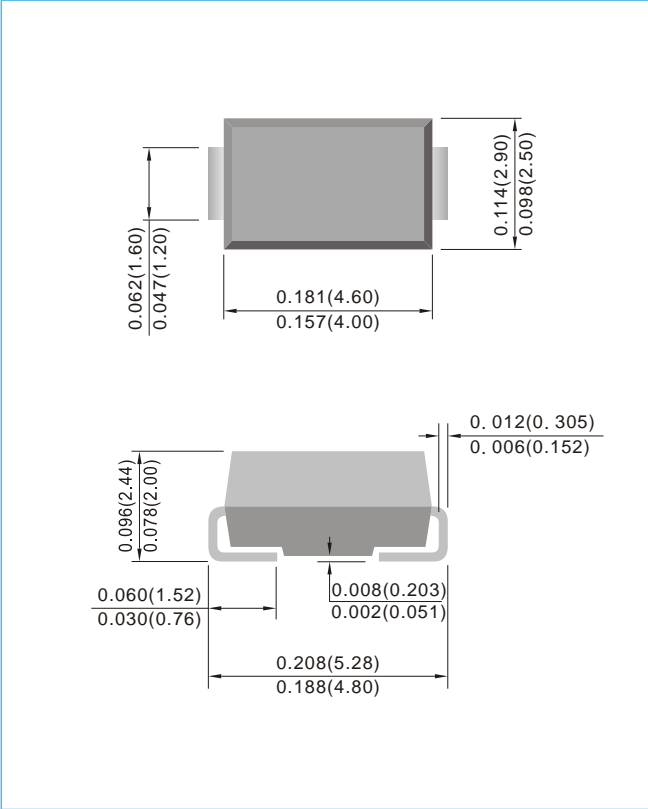
- Packing information
 - T/R – 7.5K per 13" plastic Reel
 - T/R – 1.8K per 7" plastic Reel



MBR1H150 \ SX1H15

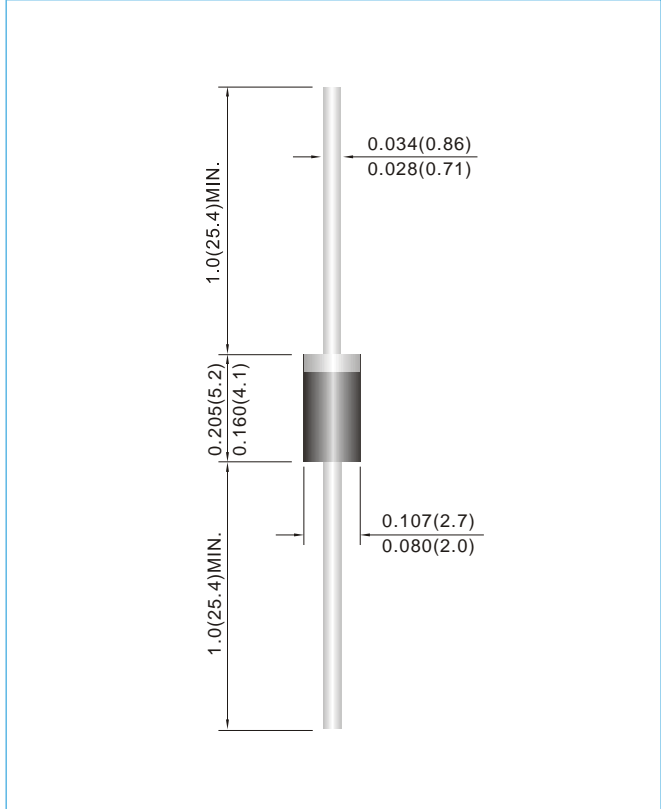
SMA / DO-214AC

Unit : inch(mm)



DO-41

Unit : inch(mm)





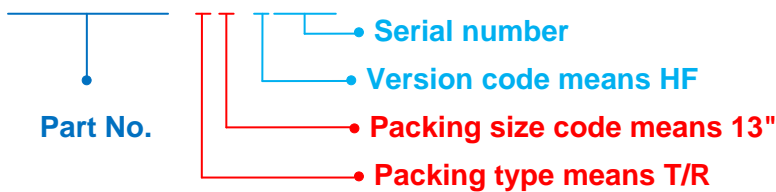
MBR1H150 \ SX1H15

Part No_packing code_Version

SX1H15_R1_00001
 SX1H15_R2_00001
 MBR1H150_AY_00001
 MBR1H150_AY_10001
 MBR1H150_B0_00001
 MBR1H150_B0_10001
 MBR1H150_R2_00001
 MBR1H150_R2_10001

For example :

RB500V-40_R2_00001



Packing Code XX				Version Code XXXXX		
Packing type	1 st Code	Packing size code	2 nd Code	HF or RoHS	1 st Code	2 nd ~5 th Code
Tape and Ammunition Box (T/B)	A	N/A	0	HF	0	serial number
Tape and Reel (T/R)	R	7"	1	RoHS	1	serial number
Bulk Packing (B/P)	B	13"	2			
Tube Packing (T/P)	T	26mm	X			
Tape and Reel (Right Oriented) (TRR)	S	52mm	Y			
Tape and Reel (Left Oriented) (TRL)	L	PANASERT T/B CATHODE UP (PBCU)	U			
FORMING	F	PANASERT T/B CATHODE DOWN (PBCD)	D			



MBR1H150 \ SX1H15

Disclaimer

- Reproducing and modifying information of the document is prohibited without permission from Panjit International Inc..
- Panjit International Inc. reserves the rights to make changes of the content herein the document anytime without notification. Please refer to our website for the latest document.
- Panjit International Inc. disclaims any and all liability arising out of the application or use of any product including damages incidentally and consequentially occurred.
- Panjit International Inc. does not assume any and all implied warranties, including warranties of fitness for particular purpose, non-infringement and merchantability.
- Applications shown on the herein document are examples of standard use and operation. Customers are responsible in comprehending the suitable use in particular applications. Panjit International Inc. makes no representation or warranty that such applications will be suitable for the specified use without further testing or modification.
- The products shown herein are not designed and authorized for equipments requiring high level of reliability or relating to human life and for any applications concerning life-saving or life-sustaining, such as medical instruments, transportation equipment, aerospace machinery et cetera. Customers using or selling these products for use in such applications do so at their own risk and agree to fully indemnify Panjit International Inc. for any damages resulting from such improper use or sale.
- Since Panjit uses lot number as the tracking base, please provide the lot number for tracking when complaining.