

# Technical Data

## TRANSISTOR

### maximum ratings

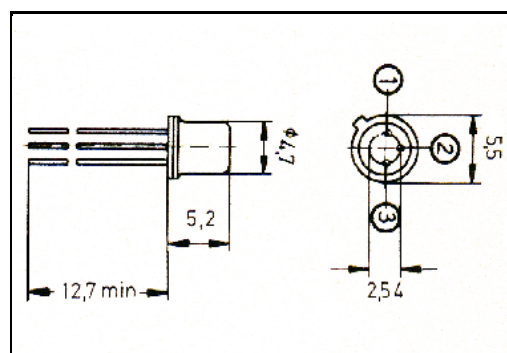
VDS	25.0	V	NO.	2N4382
VDG	25.0	V	TYPE	P-CHANNEL
VGS	25.0	V		FET
ID	30.0	mA		
IDM		A	CASE	TO-18
IG	10.0	mA		
Max. Power Dissipation (PT) at TA = 25° C	0.3	W		
Max. Thermal Resistance (Rth J-A)	500.0	°C/W		
Max. Junction Temperature (TJ)	175.0	°C		

### PERFORMANCE CHARACTERISTICS at T<sub>c</sub> = 25°C, unless otherwise noted

NO.	SYMBOL	CONDITIONS	MIN.	MAX.	UNITS
1.	BVGSS	IG = 1.0 μA (1)	25.0	-	V
2.	IGSS	VGS = 15.0 V	-	1.0	nA
3.	IDSS	VDS = 15.0 V (1)	10.0	30.0	mA
4.	Vp	VDS = 15.0 V, ID = 1.0 mA	-	9.0	V
5.	Yfs	VDS = 15.0 V	4.0	8.0	mS
6.	Cis	VDS = 10.0 V	-	20.0	pF
7.	Crs	VDS = 10.0 V	-	5.0	pF
8.	RDS(ON)	ID = 1.0 mA (2)	-	350.0	Ω
9.					
10.					
11.					
12.					
13.					
14.					
15.					
16.					
17.					
18.					
19.					
20.					

Notes (1) pulse-tested tp ≤ 300 μs, duty cycle ≤ 2 %  
(2) typical value

DIMENSIONS  
in mm



Marking 2N4382  
Customer GENERAL PURPOSE