
LOW VOLTAGE DETECTOR with SENSE pin

NO.EA-186-080617

OUTLINE

The R3117x series are CMOS-based voltage detector ICs with high detector threshold accuracy and ultra-low supply current, which can be operated at an extremely low voltage and is used for system reset as an example.

Each of these ICs consists of a voltage reference unit, a comparator, resistors for detector threshold setting, an output driver and a hysteresis circuit. The detector threshold is fixed with high accuracy internally and does not require any adjustment.

The tolerance of the detector threshold is $\pm 15\text{mV}$ ($-V_{\text{DET}} \leq 1.5\text{V}$) or $\pm 1.0\%$ ($1.5\text{V} < -V_{\text{DET}}$). Since the sense pin is separated from the V_{DD} pin of the IC, therefore, even if the sense pin voltage becomes to 0V, the output voltage keeps its "L" level.

Two output types, Nch open drain type and CMOS type are available.

Three types of packages, SOT-23-5, SC-88A, and DFN(PLP)1010-4 are available.

FEATURES*

- Supply Current Typ. $0.29\mu\text{A}$ ($V_{\text{DD}}=6.0\text{V}$)
Consumption current through SENSE pin is not included.
- Range of Operating Voltage 1.0V to 6.0V ($-40^\circ\text{C} \leq T_{\text{opt}} \leq 105^\circ\text{C}$)
- Detector Threshold Range Stepwise setting with a step of 0.1V in the range of 0.7V to 5.0V
- Accuracy Detector Threshold $\pm 1.0\%$ ($-V_{\text{DET}} \geq 1.6\text{V}$), $\pm 15\text{mV}$ ($-V_{\text{DET}} < 1.6\text{V}$)
- Temperature-Drift Coefficient of Detector Threshold Typ. $\pm 30\text{ppm}/^\circ\text{C}$
- Output Types Nch Open Drain and CMOS
- Packages SOT-23-5, DFN(PLP)1010-4, SC-88A

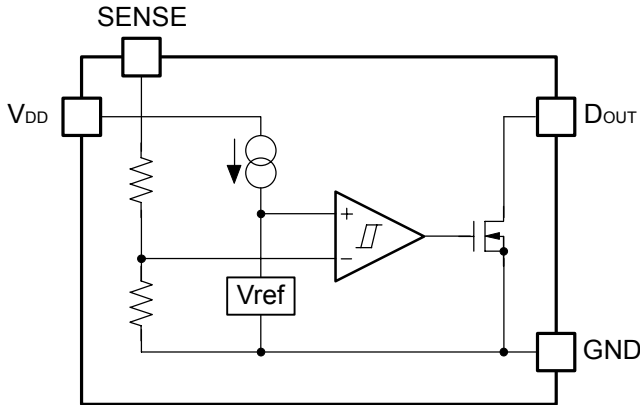
* $T_{\text{opt}}=25^\circ\text{C}$, unless otherwise noted.

APPLICATIONS

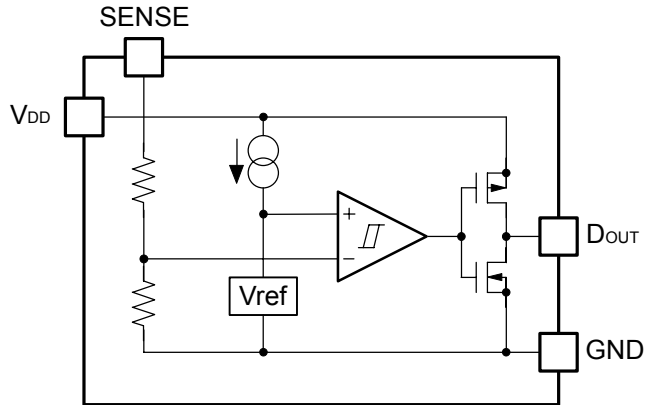
- CPU and Logic Circuit Reset
- Battery Checker
- Window Comparator
- Wave Shaping Circuit
- Battery Back-up Circuit
- Power Failure Detector

BLOCK DIAGRAMS

Nch Open Drain Output (R3117xxxxA)



CMOS Output (R3117xxxxC)



SELECTION GUIDE

The package type, the detector threshold, the output type and the taping type for the ICs can be selected at the users' request.

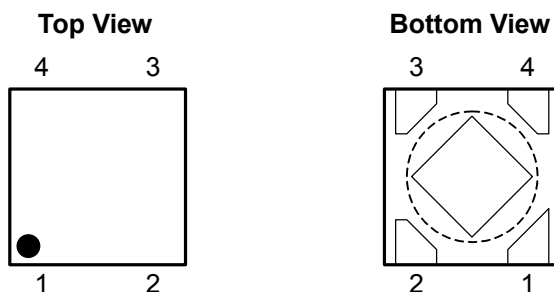
The selection can be made with designating the part number as shown below;

R3117xxxx-xx-x ← Part Number
 ↑↑↑↑↑ ↑ ↑
 a b a' c d e

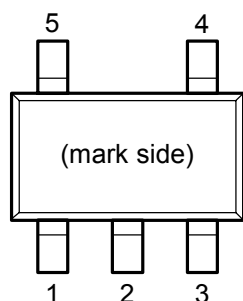
Code	Contents
a, a'	Designation of Package Type; DFN(PLP)1010-4 : R3117Kxx1x-xx-x SOT-23-5 : R3117Nxx1x-xx-x SC-88A : R3117Qxx2x-xx-x
b	Setting Detector Threshold ($-V_{DET}$); Stepwise setting with a step of 0.1V in the range of 0.7V to 5.0V is possible.
c	Designation of Output Type; A: Nch Open Drain C: CMOS
d	Designation of Taping Type ; TR (Refer to Taping Specifications; TR type is the standard direction.)
e	Designation of Composition of pin plating -F : Lead free solder plating (SOT-23-5, SC-88A) None: Au plating (DFN(PLP)1010-4)

PIN CONFIGURATIONS

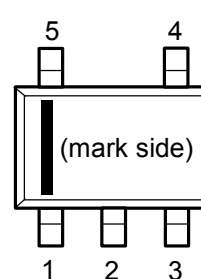
• DFN(PLP)1010-4*¹



• SOT-23-5




• SC-88A



PIN DESCRIPTIONS

• DFN(PLP)1010-4*¹

Pin No.	Symbol	Description
1	D _{OUT}	Output Pin ("L" at detection, "H" at released)
2	SENSE	Voltage Detector Voltage Sense Pin
3	GND	Ground Pin
4	V _{DD}	Input Pin

*1) Tab in the  parts have GND level.
(They are connected to the back side of this IC.)
Do not connect to other wires or land patterns.

• SOT-23-5

Pin No.	Symbol	Description
1	D _{OUT}	Output Pin ("L" at detection, "H" at released)
2	V _{DD}	Input Pin
3	GND	Ground Pin
4	NC	No Connection
5	SENSE	Voltage Detector Voltage Sense Pin

• SC-88A

Pin No.	Symbol	Description
1	V _{DD}	Input Pin
2	NC	No Connection* ²
3	GND	Ground Pin
4	SENSE	Voltage Detector Voltage Sense Pin
5	D _{OUT}	Output Pin ("L" at detection, "H" at released)

*2) In terms of NC pin of SC-88A, connect it to the GND or use it as open.

ABSOLUTE MAXIMUM RATINGS

Symbol	Item	Rating	Unit
V _{DD}	Supply Voltage	7.0	V
V _{SENSE}	SENSE Pin Voltage	7.0	V
V _{OUT}	Output Voltage (Nch Open Drain Output)	V _{SS} -0.3 to 7.0	V
	Output Voltage (CMOS Output)	V _{SS} -0.3 to V _{DD} +0.3	
I _{OUT}	Output Current	20	mA
P _D	Power Dissipation (SOT-23-5)*	420	mW
	Power Dissipation (DFN(PLP)1010-4)*	400	
	Power Dissipation (SC-88A)*	380	
T _{opt}	Operating Temperature Range	-40 to 105	°C
T _{stg}	Storage Temperature Range	-55 to 125	°C

*) For Power Dissipation, please refer to PACKAGE INFORMATION to be described.

ABSOLUTE MAXIMUM RATINGS

Electronic and mechanical stress momentarily exceeded absolute maximum ratings may cause the permanent damages and may degrade the life time and safety for both device and system using the device in the field.

The functional operation at or over these absolute maximum ratings is not assured.

ELECTRICAL CHARACTERISTICS

- R3117xxxxA/C values indicate $-40^{\circ}\text{C} \leq T_{\text{opt}} \leq 105^{\circ}\text{C}$, unless otherwise noted. T_{opt}=25°C

Symbol	Item	Conditions	Min.	Typ.	Max.	Unit	
-V _{DET}	Detector Threshold (T _{opt} =25°C)	0.7V ≤ -V _{DET} < 1.6V	1.0V ≤ V _{DD} ≤ 5.25V	-V _{DET} -15		-V _{DET} +15	mV
			5.25V < V _{DD} ≤ 6.0V	-V _{DET} -11		-V _{DET} +24	
		1.6V ≤ -V _{DET} ≤ 5.0V	1.0V ≤ V _{DD} ≤ 5.25V	-V _{DET} ×0.99		-V _{DET} ×1.01	V
			5.25V < V _{DD} ≤ 6.0V	-V _{DET} ×0.9925		-V _{DET} ×1.016	
-V _{DET}	Detector Threshold (-40°C ≤ T _{opt} ≤ 105°C)	0.7V ≤ -V _{DET} < 1.6V	1.0V ≤ V _{DD} ≤ 5.25V	<input type="checkbox"/> -V _{DET} -30		<input type="checkbox"/> -V _{DET} +30	mV
			5.25V < V _{DD} ≤ 6.0V	<input type="checkbox"/> -V _{DET} -26		<input type="checkbox"/> -V _{DET} +39	
		1.6V ≤ -V _{DET} ≤ 5.0V	1.0V ≤ V _{DD} ≤ 5.25V	<input type="checkbox"/> -V _{DET} ×0.98		<input type="checkbox"/> -V _{DET} ×1.02	V
			5.25V < V _{DD} ≤ 6.0V	<input type="checkbox"/> -V _{DET} ×0.9825		<input type="checkbox"/> -V _{DET} ×1.026	
V _{HYS}	Detector Threshold Hysteresis	V _{DD} =1.0V to 6.0V	<input type="checkbox"/> -V _{DET} ×0.04		<input type="checkbox"/> -V _{DET} ×0.07	V	
I _{SS}	Supply Current* ¹	V _{SENSE} =-V _{DET} -0.1V		0.31	<input type="checkbox"/> 1.47	μA	
		V _{SENSE} =-V _{DET} ×1.1		0.29	<input type="checkbox"/> 1.25		

Symbol	Item	Conditions	Min.	Typ.	Max.	Unit		
R _{SENSE}	Sense Resistor	$-V_{DET} < 1.5V$	6		25	MΩ		
		$1.5V \leq -V_{DET} < 4.7V$	5		40			
		$4.7V \leq -V_{DET}$	10		40			
V _{DD}	Operating Voltage	$-40^{\circ}C \leq T_{opt} \leq 105^{\circ}C$	1.0		6.0	V		
V _{DDL}	Minimum Operating Voltage* ²	$T_{opt}=25^{\circ}C$			0.50	V		
		$-40^{\circ}C \leq T_{opt} \leq 105^{\circ}C$			0.55			
I _{OUT}	Output Current (Driver Output Pin)	Nch	V _{DD} =0.6V, V _{DS} =0.05V	7			μA	
			$-V_{DET} < 1.1V$	V _{DD} =0.6V V _{DS} =0.5V	0.020			mA
			$1.1V \leq -V_{DET} < 1.6V$	V _{DD} =1.0V V _{DS} =0.5V	0.400			
			$1.6V \leq -V_{DET} < 3.1V$	V _{DD} =1.5V V _{DS} =0.5V	1.000			
			$3.1V \leq -V_{DET}$	V _{DD} =3.0V V _{DS} =0.5V	2.400			
		Pch* ³	$-V_{DET} < 4.0V$	V _{DD} =4.5V V _{DS} =2.1V	0.650			mA
			$4.0V \leq -V_{DET}$	V _{DD} =6.0V V _{DS} =2.1V	0.900			
I _{LEAK}	Nch Driver Leakage Current* ⁴	V _{DD} =6.0V, V _{DS} =7.0V			140	nA		
$\frac{\Delta-V_{DET}}{\Delta T_{opt}}$	Detector Threshold Temperature Coefficient	$-40^{\circ}C \leq T_{opt} \leq 105^{\circ}C$		±30		ppm/°C		
t _{PHL}	Detector Output Delay Time* ⁵	V _{DD} =5V	$-V_{DET} < 1.5V$		80	μs		
			$1.5V \leq -V_{DET}$		40			
t _{PLH}	Release Output Delay Time* ⁵	V _{DD} =5V	$-V_{DET} < 4.5V$		40	μs		
			$4.5V \leq -V_{DET}$		80			

All of unit are tested and specified under load conditions such that $T_{opt}=25^{\circ}C$ except for Detector Threshold Temperature Coefficient, Detector Output Delay Time and Release Output Delay Time.

*1: Consumption current through SENSE pin is not included.

*2: In case that the V_{DD} pin and SENSE pin are connected and the value shows the minimum supply voltage (V_{DD}) when the output voltage at detector threshold can be maintained as 0.1V or less. (In case of Nch open drain type, pull-up resistor is 470kΩ and pull-up voltage is set at 5V for testing.) If V_{DD} is high enough, down to 0V is acceptable for SENSE pin.

*3: In case of CMOS type

*4: In case of Nch Open Drain type

*5: In the case of CMOS output type: Time interval from forcing pulsive 6.0V to $-V_{DET}-2.0V$ or 0V, or from forcing 0V to $-V_{DET}+2.0V$ or 6.0V to SENSE pin, to when the output voltage will reach V_{DD}/2.

In the case of Nch Open drain output type: Output pin is pulled up to 5V with 470kΩ and time interval from forcing 6.0V to $-V_{DET}-2.0V$ or 0V, or forcing pulsive 0V to $-V_{DET}+2.0V$ or 6.0V to when the output voltage reaches up to 2.5V.

RECOMMENDED OPERATING CONDITIONS (ELECTRICAL CHARACTERISTICS)

All of electronic equipment should be designed that the mounted semiconductor devices operate within the recommended operating conditions. The semiconductor devices cannot operate normally over the recommended operating conditions, even if when they are used over such conditions by momentary electronic noise or surge. And the semiconductor devices may receive serious damage when they continue to operate over the recommended operating conditions.

ELECTRICAL CHARACTERISTICS BY DETECTOR THRESHOLD

• R3117x07xA/C to R3117x50xA/C

Bold values are checked and guaranteed by design engineering at $-40^{\circ}\text{C} \leq \text{Topt} \leq 105^{\circ}\text{C}$, unless otherwise noted.

Topt=25°C

Part Number	Detector Threshold $1.0\text{V} \leq \text{VDD} \leq 5.25\text{V}$		Detector Threshold $1.0\text{V} \leq \text{VDD} \leq 5.25\text{V}$		Detector Threshold $5.25\text{V} < \text{VDD} \leq 6.0\text{V}$		Detector Threshold $5.25\text{V} < \text{VDD} \leq 6.0\text{V}$		Detector Threshold Hysteresis	
	-VDET [V]		-VDET [V]		-VDET [V]		-VDET [V]		VHYS [V]	
	Min.	Max.	Min.	Max.	Min.	Max.	Min.	Max.	Min.	Max.
R3117x07xA/C	0.6850	0.7150	0.6700	0.7300	0.6890	0.7240	0.6740	0.7390	0.028	0.049
R3117x08xA/C	0.7850	0.8150	0.7700	0.8300	0.7890	0.8240	0.7740	0.8390	0.032	0.056
R3117x09xA/C	0.8850	0.9150	0.8700	0.9300	0.8890	0.9240	0.8740	0.9390	0.036	0.063
R3117x10xA/C	0.9850	1.0150	0.9700	1.0300	0.9890	1.0240	0.9740	1.0390	0.040	0.070
R3117x11xA/C	1.0850	1.1150	1.0700	1.1300	1.0890	1.1240	1.0740	1.1390	0.044	0.077
R3117x12xA/C	1.1850	1.2150	1.1700	1.2300	1.1890	1.2240	1.1740	1.2390	0.048	0.084
R3117x13xA/C	1.2850	1.3150	1.2700	1.3300	1.2890	1.3240	1.2740	1.3390	0.052	0.091
R3117x14xA/C	1.3850	1.4150	1.3700	1.4300	1.3890	1.4240	1.3740	1.4390	0.056	0.098
R3117x15xA/C	1.4850	1.5150	1.4700	1.5300	1.4890	1.5240	1.4740	1.5390	0.060	0.105
R3117x16xA/C	1.5840	1.6160	1.5680	1.6320	1.5880	1.6256	1.5720	1.6416	0.064	0.112
R3117x17xA/C	1.6830	1.7170	1.6660	1.7340	1.6872	1.7272	1.6702	1.7442	0.068	0.119
R3117x18xA/C	1.7820	1.8180	1.7640	1.8360	1.7865	1.8288	1.7685	1.8468	0.072	0.126
R3117x19xA/C	1.8810	1.9190	1.8620	1.9380	1.8857	1.9304	1.8667	1.9494	0.076	0.133
R3117x20xA/C	1.9800	2.0200	1.9600	2.0400	1.9850	2.0320	1.9650	2.0520	0.080	0.140
R3117x21xA/C	2.0790	2.1210	2.0580	2.1420	2.0842	2.1336	2.0632	2.1546	0.084	0.147
R3117x22xA/C	2.1780	2.2220	2.1560	2.2440	2.1835	2.2352	2.1615	2.2572	0.088	0.154
R3117x23xA/C	2.2770	2.3230	2.2540	2.3460	2.2827	2.3368	2.2597	2.3598	0.092	0.161
R3117x24xA/C	2.3760	2.4240	2.3520	2.4480	2.3820	2.4384	2.3580	2.4624	0.096	0.168
R3117x25xA/C	2.4750	2.5250	2.4500	2.5500	2.4812	2.5400	2.4562	2.5650	0.100	0.175
R3117x26xA/C	2.5740	2.6260	2.5480	2.6520	2.5805	2.6416	2.5545	2.6676	0.104	0.182
R3117x27xA/C	2.6730	2.7270	2.6460	2.7540	2.6797	2.7432	2.6527	2.7702	0.108	0.189
R3117x28xA/C	2.7720	2.8280	2.7440	2.8560	2.7790	2.8448	2.7510	2.8728	0.112	0.196
R3117x29xA/C	2.8710	2.9290	2.8420	2.9580	2.8782	2.9464	2.8492	2.9754	0.116	0.203
R3117x30xA/C	2.9700	3.0300	2.9400	3.0600	2.9775	3.0480	2.9475	3.0780	0.120	0.210
R3117x31xA/C	3.0690	3.1310	3.0380	3.1620	3.0767	3.1496	3.0457	3.1806	0.124	0.217
R3117x32xA/C	3.1680	3.2320	3.1360	3.2640	3.1760	3.2512	3.1440	3.2832	0.128	0.224
R3117x33xA/C	3.2670	3.3330	3.2340	3.3660	3.2752	3.3528	3.2422	3.3858	0.132	0.231
R3117x34xA/C	3.3660	3.4340	3.3320	3.4680	3.3745	3.4544	3.3405	3.4884	0.136	0.238
R3117x35xA/C	3.4650	3.5350	3.4300	3.5700	3.4737	3.5560	3.4387	3.5910	0.140	0.245
R3117x36xA/C	3.5640	3.6360	3.5280	3.6720	3.5730	3.6576	3.5370	3.6936	0.144	0.252
R3117x37xA/C	3.6630	3.7370	3.6260	3.7740	3.6722	3.7592	3.6352	3.7962	0.148	0.259
R3117x38xA/C	3.7620	3.8380	3.7240	3.8760	3.7715	3.8608	3.7335	3.8988	0.152	0.266
R3117x39xA/C	3.8610	3.9390	3.8220	3.9780	3.8707	3.9624	3.8317	4.0014	0.156	0.273
R3117x40xA/C	3.9600	4.0400	3.9200	4.0800	3.9700	4.0640	3.9300	4.1040	0.160	0.280
R3117x41xA/C	4.0590	4.1410	4.0180	4.1820	4.0692	4.1656	4.0282	4.2066	0.164	0.287
R3117x42xA/C	4.1580	4.2420	4.1160	4.2840	4.1685	4.2672	4.1265	4.3092	0.168	0.294
R3117x43xA/C	4.2570	4.3430	4.2140	4.3860	4.2677	4.3688	4.2247	4.4118	0.172	0.301
R3117x44xA/C	4.3560	4.4440	4.3120	4.4880	4.3670	4.4704	4.3230	4.5144	0.176	0.308
R3117x45xA/C	4.4550	4.5450	4.4100	4.5900	4.4662	4.5720	4.4212	4.6170	0.180	0.315
R3117x46xA/C	4.5540	4.6460	4.5080	4.6920	4.5655	4.6736	4.5195	4.7196	0.184	0.322
R3117x47xA/C	4.6530	4.7470	4.6060	4.7940	4.6647	4.7752	4.6177	4.8222	0.188	0.329
R3117x48xA/C	4.7520	4.8480	4.7040	4.8960	4.7640	4.8768	4.7160	4.9248	0.192	0.336
R3117x49xA/C	4.8510	4.9490	4.8020	4.9980	4.8632	4.9784	4.8142	5.0274	0.196	0.343
R3117x50xA/C	4.9500	5.0500	4.9000	5.1000	4.9625	5.0800	4.9125	5.1300	0.200	0.350

Sense Resistor		Nch Driver Output Current 1		Nch Driver Output Current2		Pch Driver Output Current		Detector Output Delay Time		Release Output Delay Time		
RSENSE [MΩ]		IOUT1 [μA]		IOUT2 [mA]		IOUT3 [mA]		tPHL [μs]		tPLH [μs]		
Min.	Typ.	Cond.	Min.	Cond.	Min.	Cond.	Min.	Cond.	Typ.	Cond.	Typ.	
6	25	V _{DD} = 0.6V V _{DS} = 0.05V	7	V _{DD} = 0.6V V _{DS} = 0.5V	0.020	V _{DD} = 4.5V V _{DS} = 2.1V	0.650	V _{DD} = 5.0V V _{SENSE} = 6.0V ↓ 0V *Note)	80	V _{DD} = 5.0V V _{SENSE} = 0V ↓ -V _{DET} +2.0V *Note)	40	
				V _{DD} = 1.0V V _{DS} = 0.5V	0.400			*Note)				
5	40			V _{DD} = 1.5V V _{DS} = 0.5V	1.000				V _{DD} = 5.0V V _{SENSE} = 6.0V ↓ -V _{DET} -2.0V *Note)			40
				V _{DD} = 3.0V V _{DS} = 0.5V	2.400			*Note)				
				V _{DD} = 6.0V V _{DS} = 2.1V	0.900							
10												

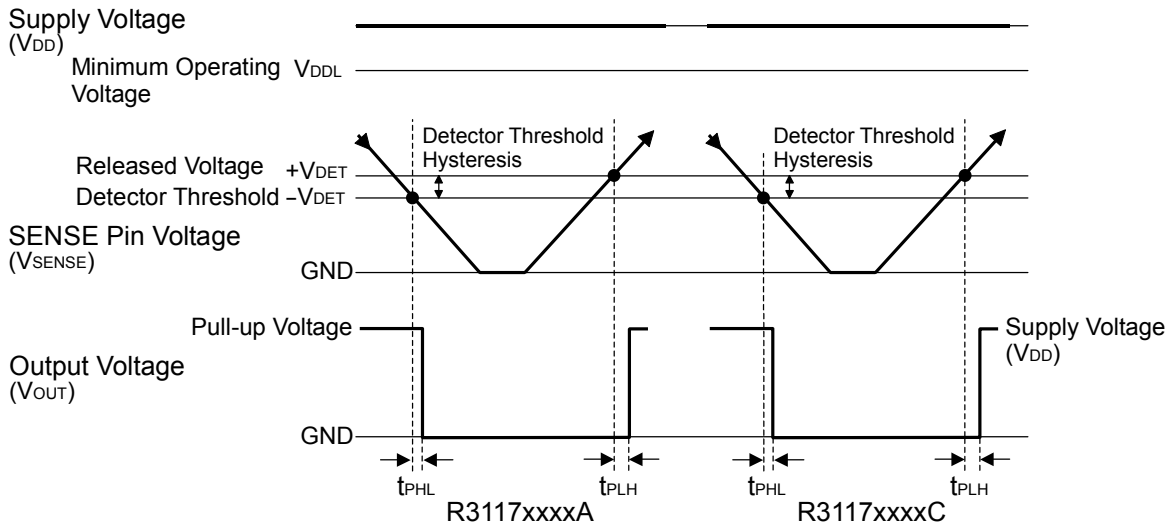
Note) 1. In the case of CMOS output type:

Time interval from forcing pulsive 6.0V to -V_{DET}-2.0V or 0V, or from forcing 0V to -V_{DET}+2.0V or 6.0V to SENSE pin, to when the output voltage will reach V_{DD}/2.

2. In the case of Nch Open drain output type:

Output pin is pulled up to 5V with 470kΩ and time interval from forcing 6.0V to -V_{DET}-2.0V or 0V, or forcing pulsive 0V to -V_{DET}+2.0V or 6.0V to when the output voltage reaches up to 2.5V.

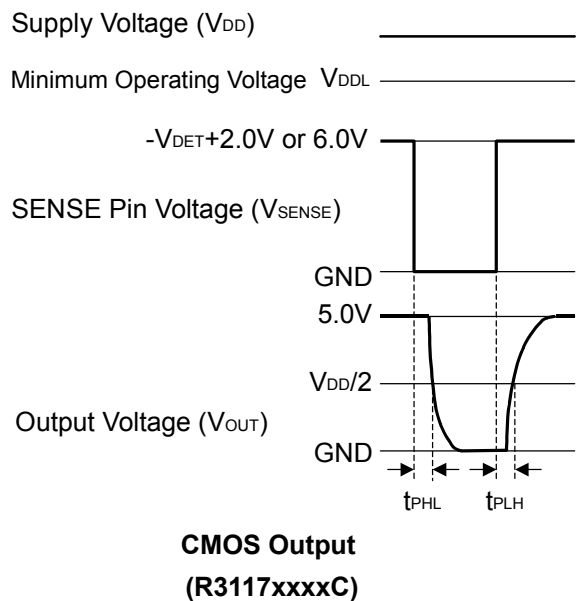
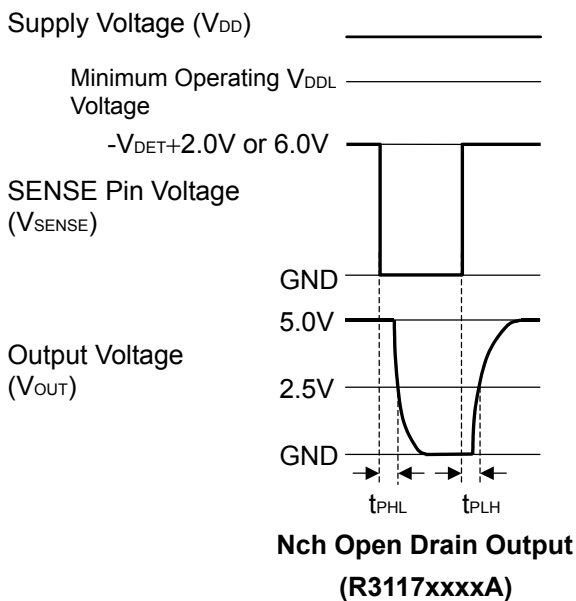
TIMING CHART



DEFINITION OF OUTPUT DELAY TIME

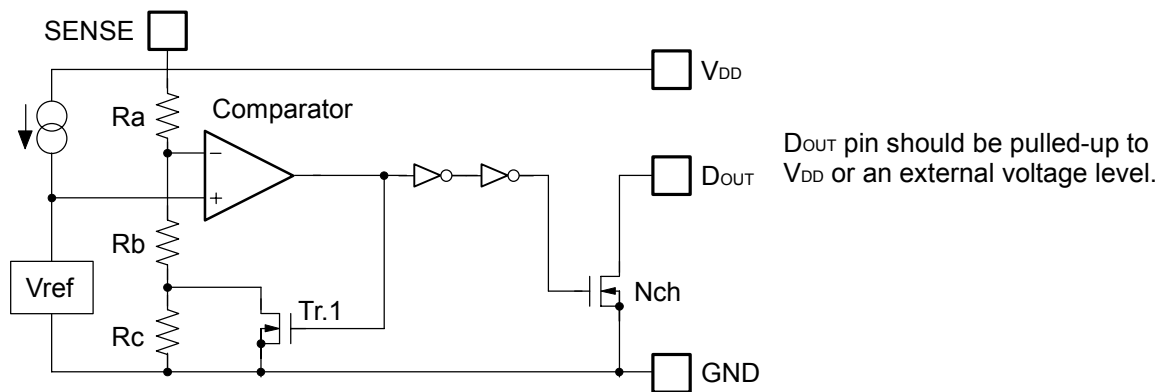
Output Delay Time (t_{PLH}) is defined as follows:

- In the case of Nch Open Drain Output:
Under the condition of the output pin (D_{OUT}) is pulled up through a resistor of $470k\Omega$ to 5V, the time interval between the rising edge of SENSE Pin pulse from 0V to $(-V_{DET})+2.0V$ or the time interval of 6.0V pulse voltage is supplied, the becoming of the output voltage to 2.5V.
- In the case of CMOS Output:
The time interval between the rising edge of SENSE Pin pulse from 0V to $(-V_{DET})+2.0V$ or the time interval of 6.0V pulse voltage is supplied, the becoming of the output voltage to $V_{DD}/2$.

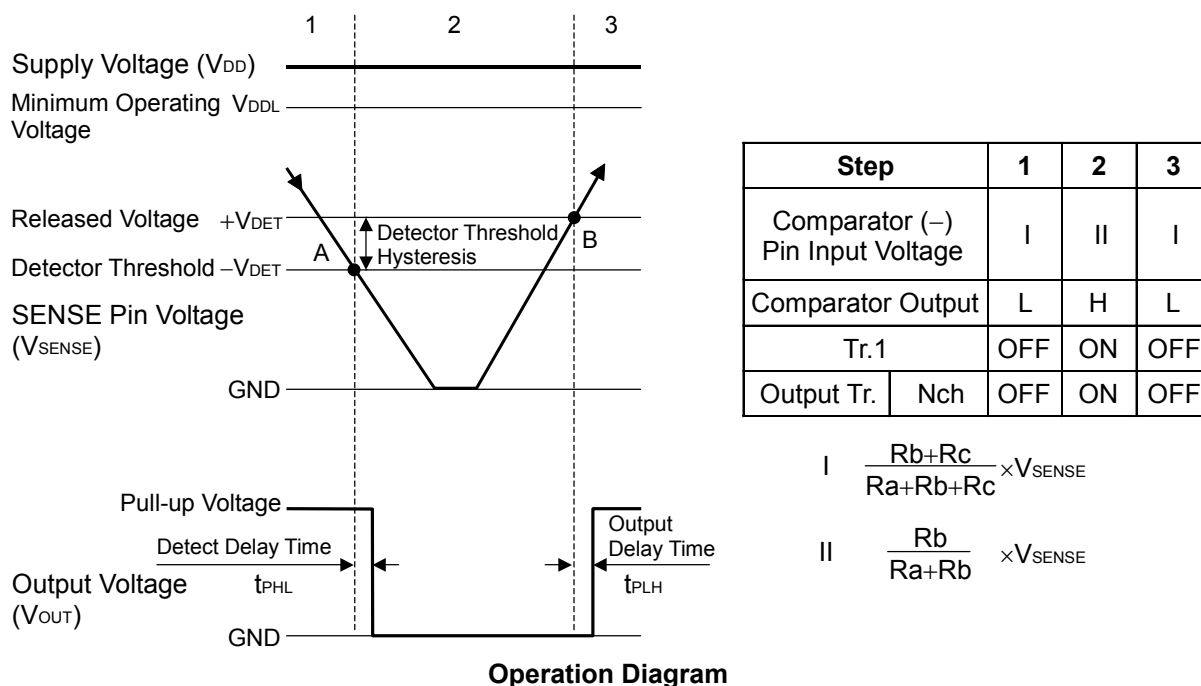


OPERATION

• Operation of R3117xxxxA



Block Diagram (R3117xxxxA)



Operation Diagram

• Explanation of operation

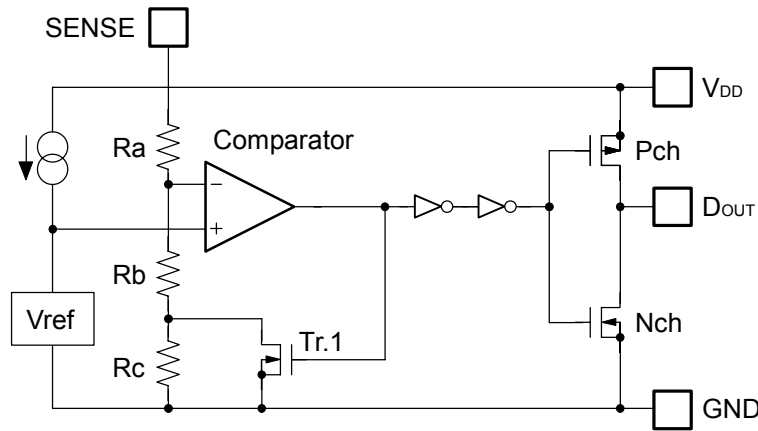
Step 1. The output voltage is equal to the pull-up voltage.

Step 2. At Point "A", $V_{ref} \geq V_{SENSE} \times (R_b + R_c) / (R_a + R_b + R_c)$ is true, as a result, the output of comparator is reversed from "H" to "L", therefore the output voltage becomes the GND level. The voltage level of Point A means a detector threshold voltage ($-V_{DET}$). (When the supply voltage is lower than the minimum operating voltage, the operation of the output transistor becomes indefinite. The output voltage is equal to the GND level.)

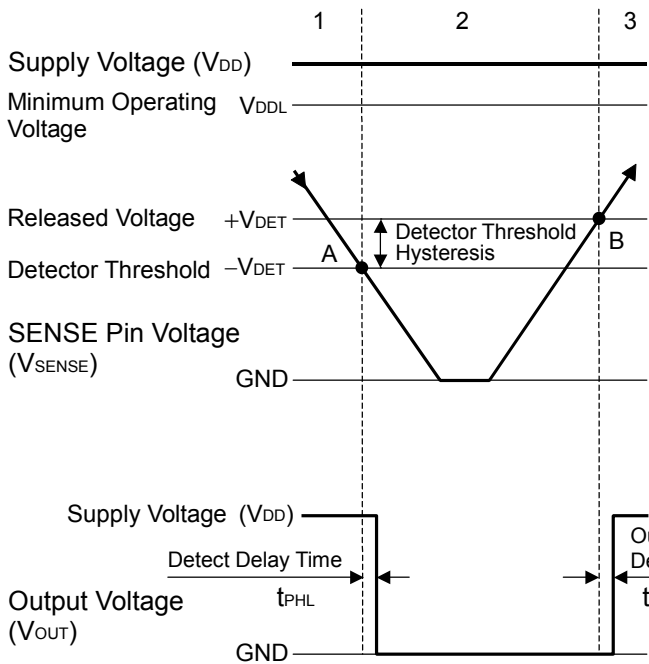
Step 3. At Point "B", $V_{ref} \leq V_{SENSE} \times R_b / (R_a + R_b)$ is true, as a result, the output of comparator is reversed from "L" to "H", then the output voltage is equal to the pull-up voltage. The voltage level of Point B means a released voltage ($+V_{DET}$).

*) The difference between a released voltage and a detector threshold voltage is a detector threshold hysteresis.

• Operation of R3117xxxxC



Block Diagram (R3117xxxxC)



Step	1	2	3
Comparator (-) Pin Input Voltage	I	II	I
Comparator Output	L	H	L
Tr.1	OFF	ON	OFF
Output Tr.	Pch	ON	OFF
	Nch	OFF	ON

$$I \quad \frac{Rb+Rc}{Ra+Rb+Rc} \times V_{SENSE}$$

$$II \quad \frac{Rb}{Ra+Rb} \times V_{SENSE}$$

Operation Diagram

• Explanation of operation

Step 1. The output voltage is equal to the supply voltage (V_{DD}).

Step 2. At Point "A", $V_{ref} \geq V_{SENSE} \times (Rb+Rc) / (Ra+Rb+Rc)$ is true, as a result, the output of comparator is reversed from "H" to "L", therefore the output voltage becomes the GND level. The voltage level of Point A means a detector threshold voltage ($-V_{DET}$). (When the supply voltage is lower than the minimum operating voltage, the operation of the output transistor becomes indefinite. The output voltage is equal to the GND level.

Step 3. At Point "B", $V_{ref} \leq V_{SENSE} \times Rb / (Ra+Rb)$ is true, as a result, the output of comparator is reversed from "L" to "H", then the output voltage is equal to the supply voltage (V_{DD}). The voltage level of Point B means a released voltage ($+V_{DET}$).

*) The difference between a released voltage and a detector threshold voltage is a detector threshold hysteresis.

Power supply injection order

The R3117xxxxA/C Series supervise the voltage of the SENSE pin. V_{DD} pin and SENSE pin can be used at the same voltage level. Likewise, V_{DD} pin and SENSE pin can be used at the different voltage level. If the V_{DD} pin and SENSE pin are used at different voltage level, regarding the start-up sequence, force the voltage level to V_{DD} pin prior to the SENSE pin.

If the SENSE pin voltage is equal or more than the released voltage ($+V_{DET}$), D_{OUT} pin becomes "H". Besides, a voltage beyond V_{DD} pin is also acceptable to SENSE pin. Concerning the R3117xxxxA series (Nch open drain output type), D_{OUT} pin must be pulled-up with an external resistor.

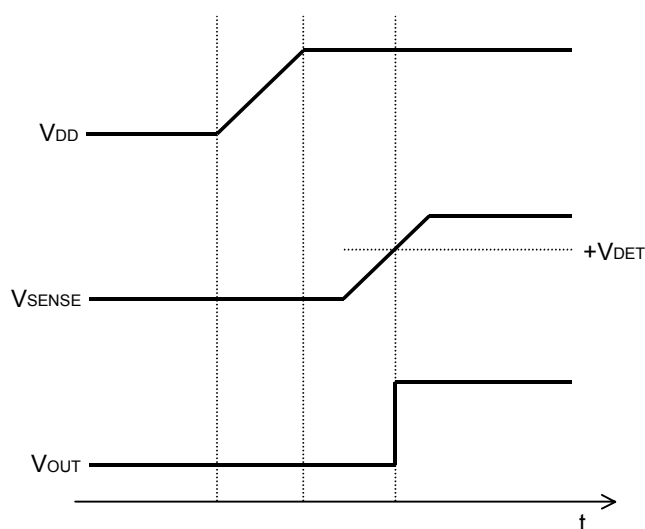


Fig.1 Turn on sequence

Outside setting of the detection voltage

To monitor the voltage more than 5.0V or if the different detector threshold with using lower threshold device, divider resistors can be applied to the SENSE pin. In this usage, some error range will be generated to the detector threshold voltage caused by the internal resistor R_{SENSE} (Fig.3) of the IC. Supposed that the detector threshold voltage is described as V_s , the next equation will be true.

$$V_s = -V_{DET} \times (R_a + R_b) / R_b.$$

However, actually an error includes by SENSE resistance (R_{SENSE}) of the IC inside. (Figure 3)

$$I_a = I_b + I_{SENSE} \quad \dots\dots\dots(1)$$

$$I_b = -V_{DET} / R_b \quad \dots\dots\dots(2)$$

Thus,

$$I_a = -V_{DET} / R_b + I_{SENSE} \quad \dots\dots\dots(3)$$

Therefore,

$$V_s = -V_{DET} + I_a \times R_a \quad \dots\dots\dots(4)$$

Put Equation (3) into Equation (4), then

$$V_s = -V_{DET} \times (R_a + R_b) / R_b + R_a \times I_{SENSE}$$

$R_a \times I_{SENSE}$ is an error in V_s .

$$\begin{aligned} R_a \times I_{SENSE} &= R_a \times (-V_{DET}) / R_{SENSE} \\ &= -V_{DET} \times R_a / R_{SENSE} \end{aligned}$$

The error range is $-V_{DET} \times R_a / R_{SENSE}$ (Fig.3) and to make it small, choosing the low detector threshold voltage type and set the resistance values R_a, R_b as $R_{SENSE} \gg R_a$. Refer to the electrical characteristics table to see the R_{SENSE} value.

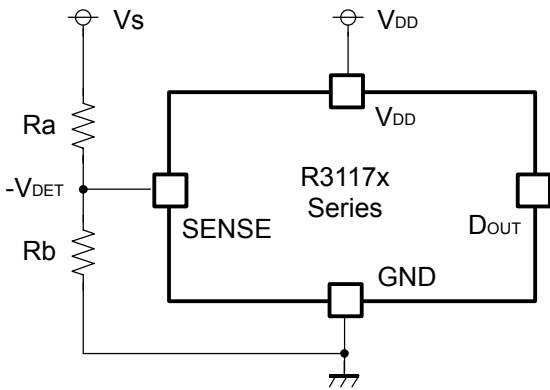


Fig.2

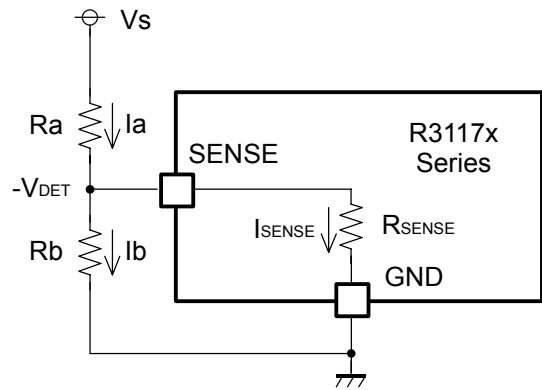


Fig.3

Accuracy Detector Threshold

If the V_{DD} bias voltage is larger than 5.25V, and to keep the detector threshold accuracy level, or if the maximum operating voltage line must be used as the V_{DD} bias voltage, the input voltage must be set low by using the divider resistors which are shown in Fig.4.

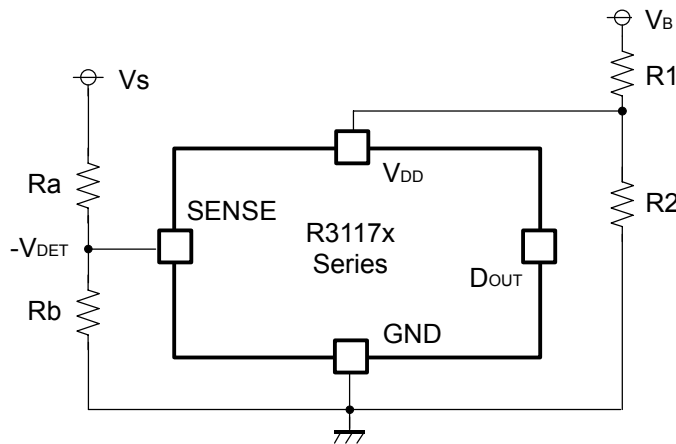
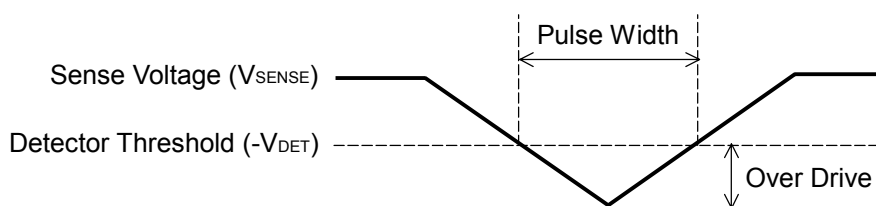
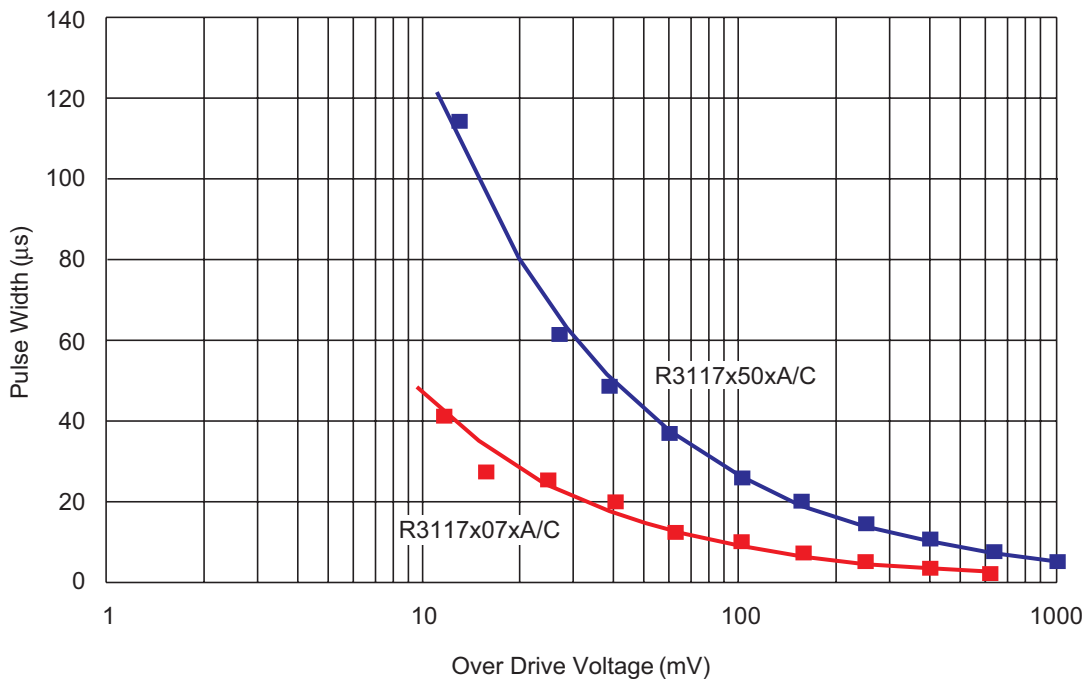


Fig.4

Detector Operation vs. glitch input voltage to the SENSE pin

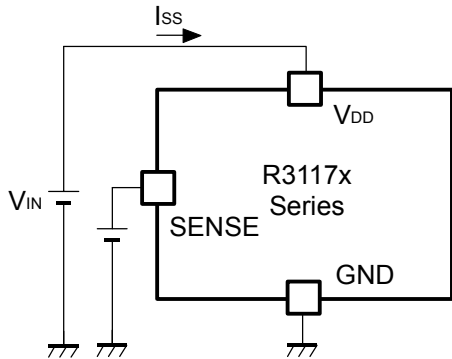
When the R3117x is at released, if the pulse voltage which the detector threshold or lower voltage, the graph below means that the relation between pulse width and the amplitude of the swing to keep the released state for the R3117x.



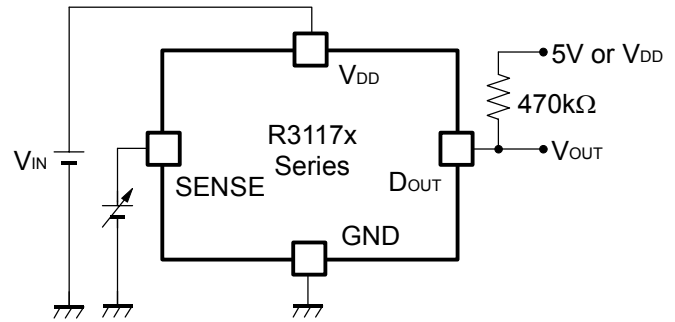
V_{SENSE} Input Waveform

This graph shows the maximum pulse conditions to keep the released voltage. If the pulse with larger amplitude or wider width than the graph above, is input to SENSE pin, the reset signal may be output.

TEST CIRCUITS

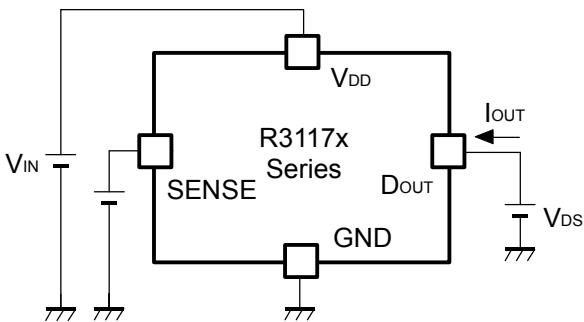


Supply Current Test Circuit

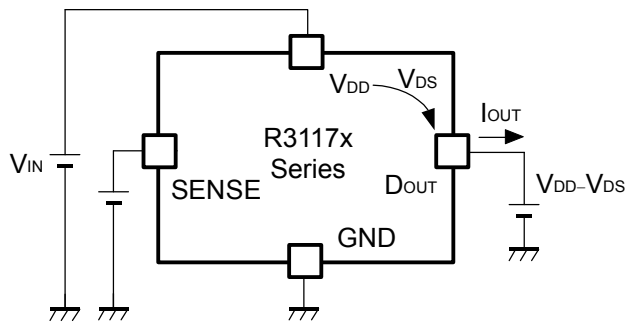


Detector Threshold Test Circuit

(Pull-up circuit is not necessary for CMOS Output type.)



Nch Driver Output Current Test Circuit

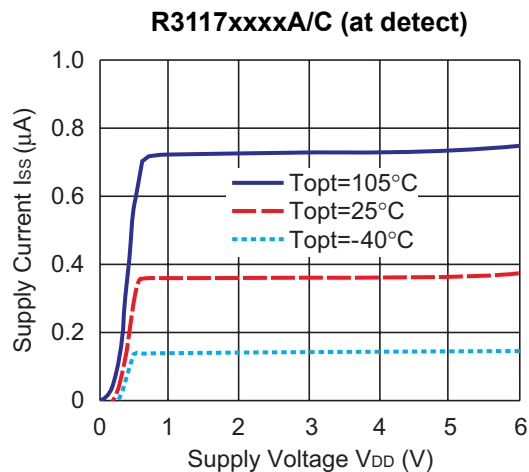
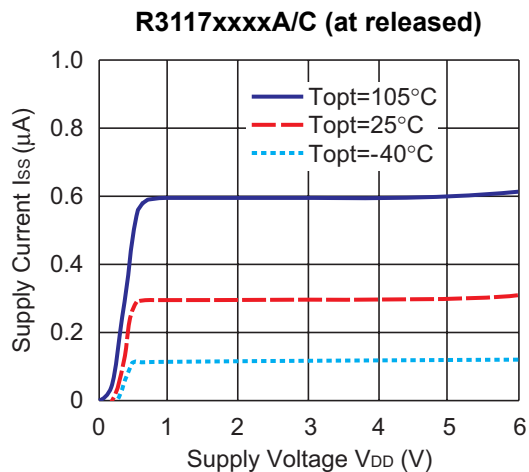


Pch Driver Output Current Test Circuit

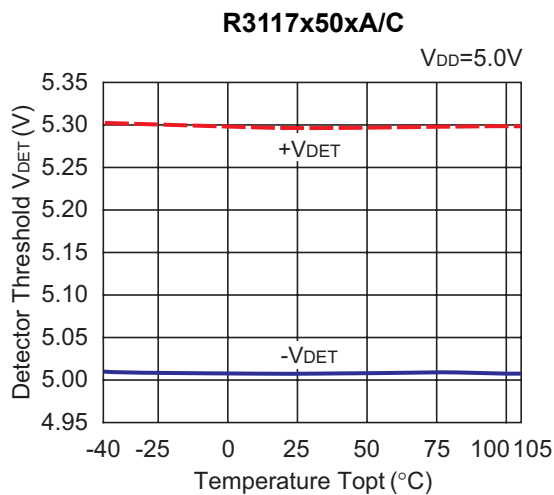
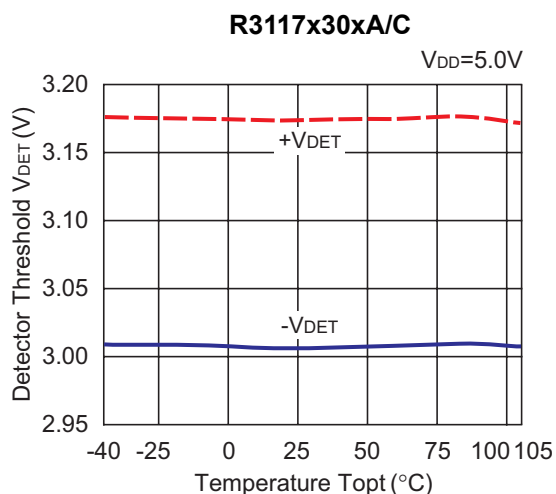
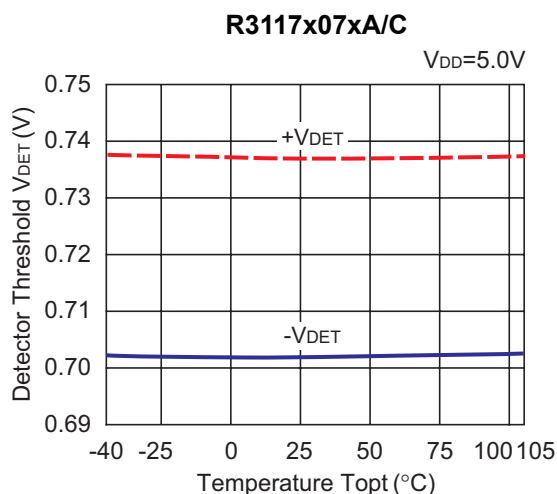
*Apply to CMOS Output type only

TYPICAL CHARACTERISTICS

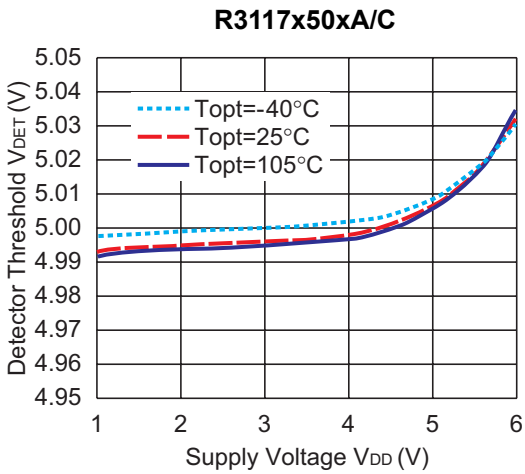
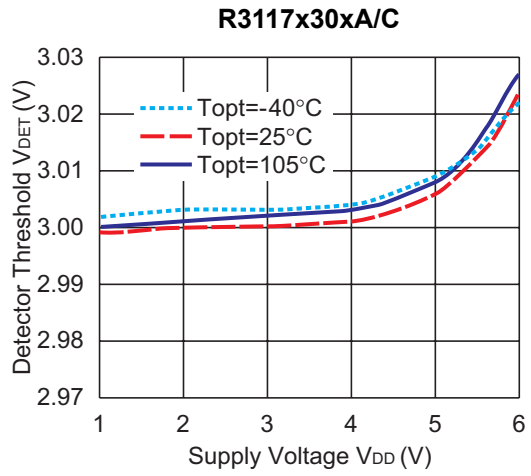
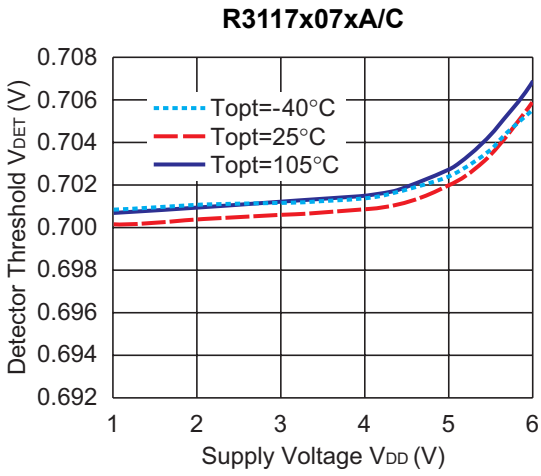
1) Supply Current vs. Supply Voltage



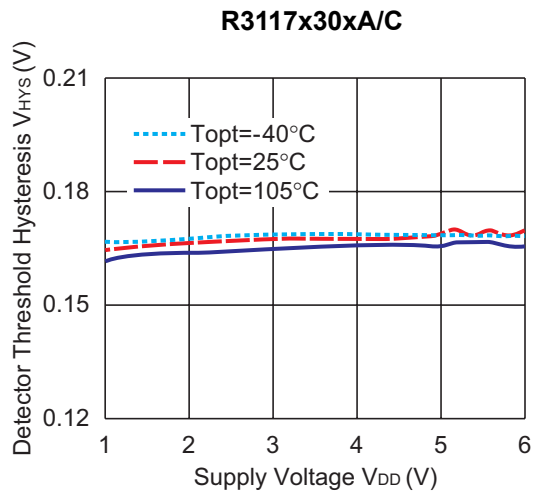
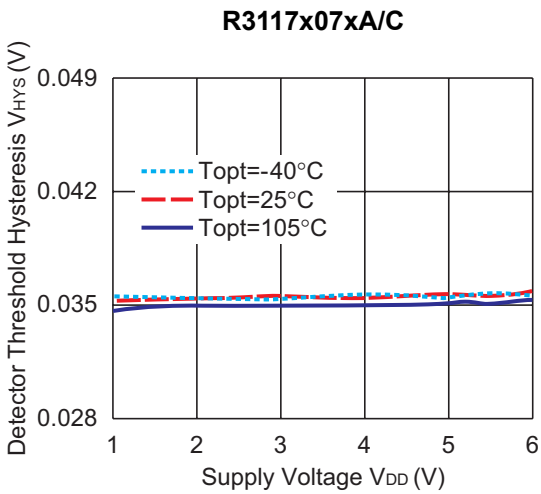
2) Detector Threshold vs. Temperature

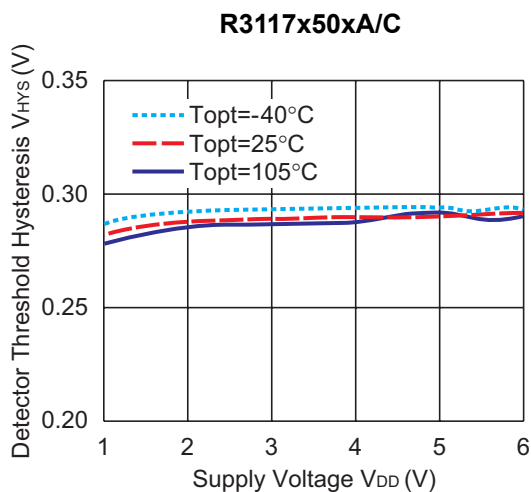


3) Detector Threshold vs. Supply Voltage

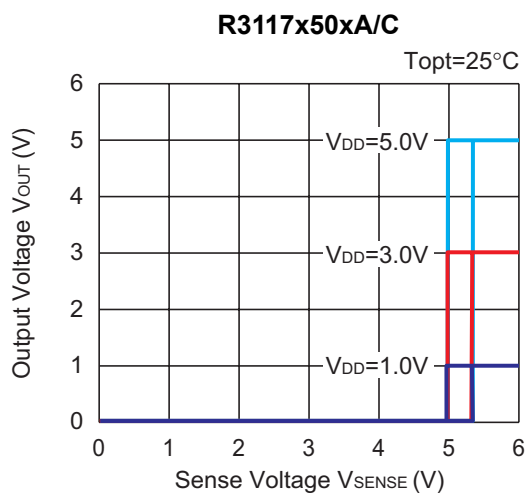
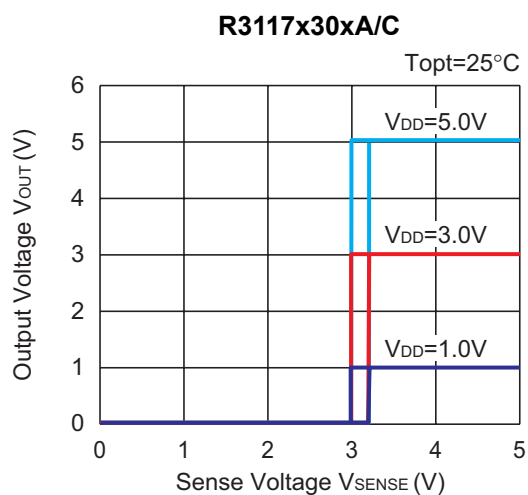
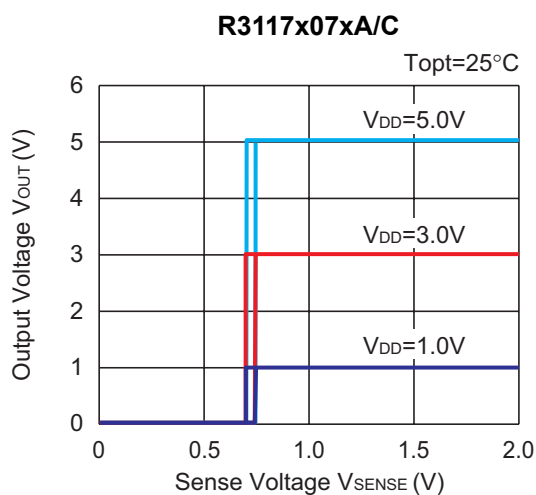


4) Hysteresis vs. Supply Voltage

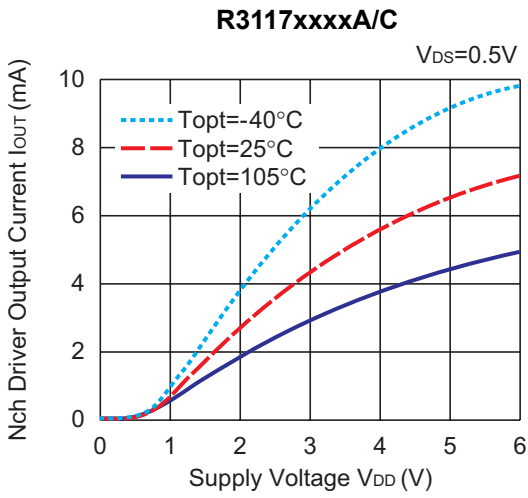




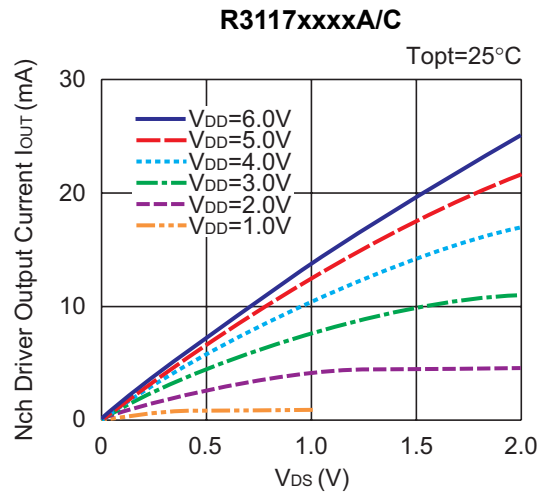
5) Output Voltage vs. SENSE pin Input Voltage (Nch Open Drain Output type is pulled up to V_{DD} .)



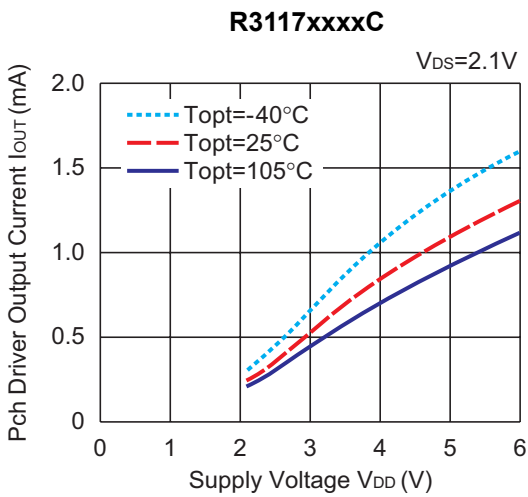
6) Nch Driver Output Current vs. Supply Voltage



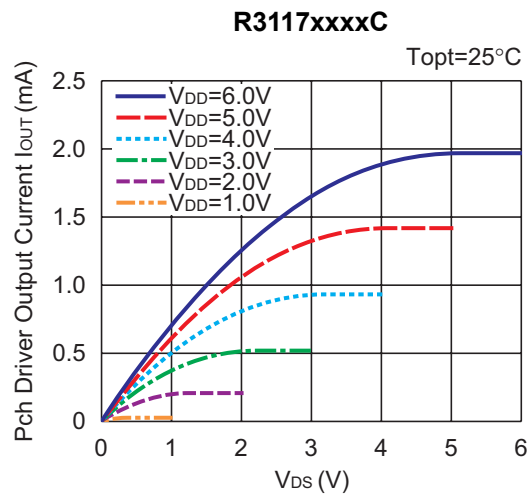
7) Nch Driver Output Current vs. Vds



8) Pch Driver Output Current vs. Supply Voltage



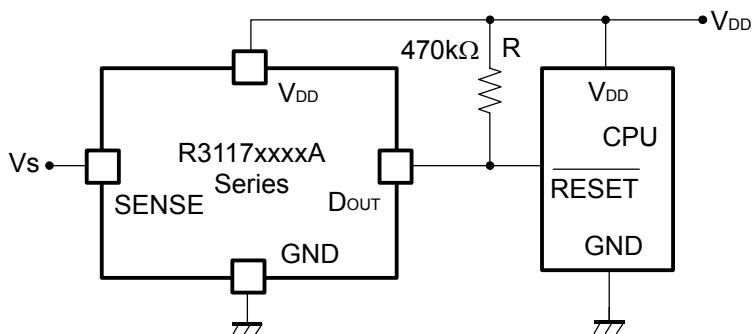
9) Pch Driver Output Current vs. Vds



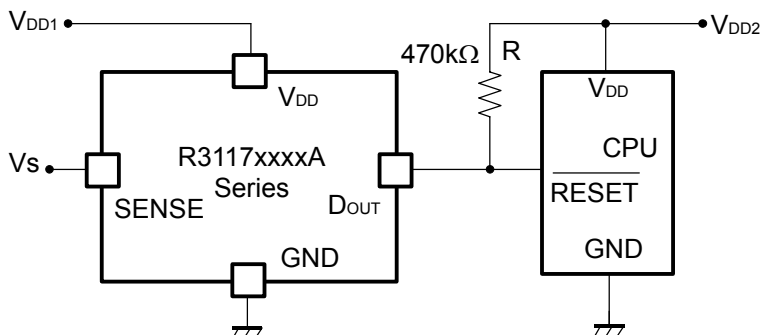
TYPICAL APPLICATION

- R3117xxxxA CPU Reset Circuit (Nch Open Drain Output)

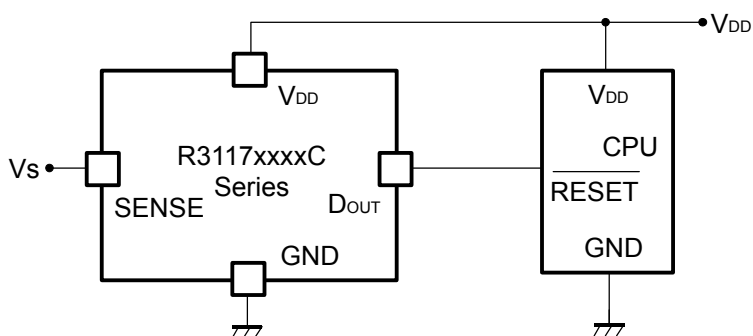
(1) Input Voltage to R3117xxxxA is equal to Input Voltage to CPU



(2) Input Voltage to R3117xxxxA is unequal to Input Voltage to CPU



- R3117xxxxC CPU Reset Circuit (CMOS Output)



TECHNICAL NOTES

When R3117xxxA/C is used in the circuit as SENSE pin and V_{DD} pin are connected each other such as in Figure A, if the value of R1 is set excessively large, the dropdown voltage caused by the consumption current of IC itself, may vary the detector threshold and the released voltage. Also, if the value of R1 is set excessively large, there may cause oscillation generated by cross conduction current with released operation.

When R3117xxxA/C is used in the circuit as SENSE pin and V_{DD} pin are connected each other such as in Figure B, if the value of R1 is set excessively large, the dropdown voltage caused by the consumption current of IC itself, may vary the detector threshold and the released voltage.

Also, if the value of R1 is set excessively large, there may be delay in start-up and may cause oscillation generated by cross conduction current. Furthermore, if the value of R1 is set large and the value of R2 is set small, released voltage level may shift and the minimum operating voltage may differ. If the value of R2 is set excessively small from R1, release may not occur and may cause oscillation.

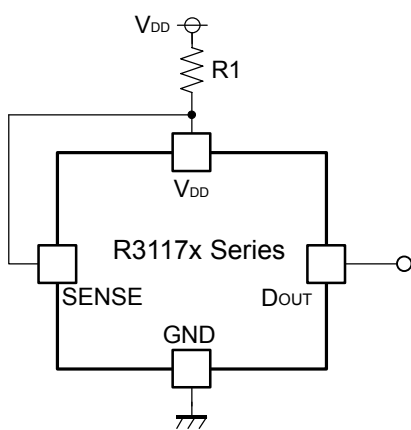


Figure A

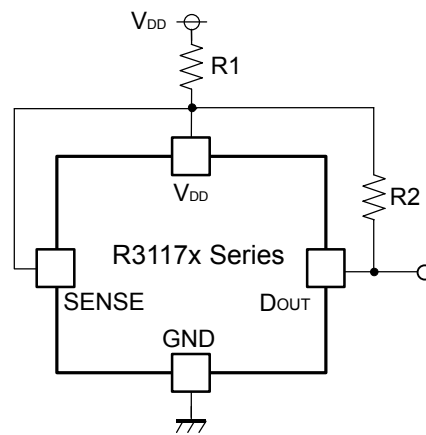
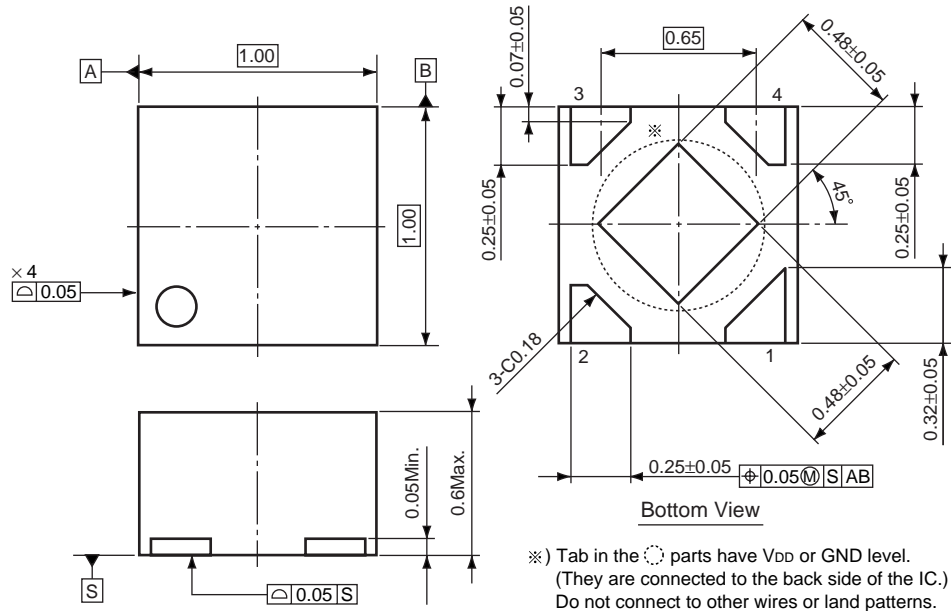


Figure B

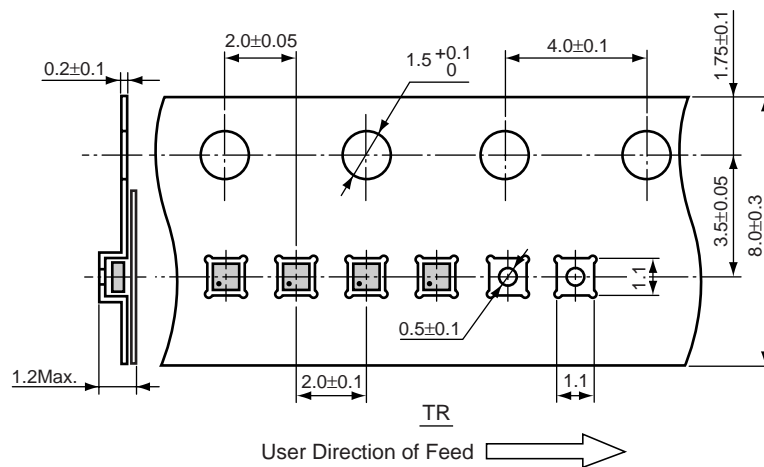
• DFN(PLP)1010-4

Unit: mm

PACKAGE DIMENSIONS

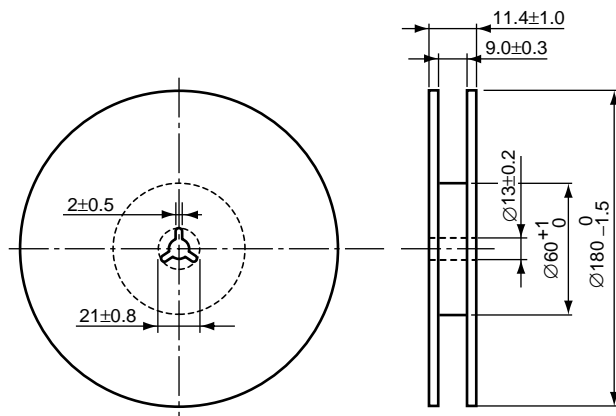


TAPING SPECIFICATION



TAPING REEL DIMENSIONS REUSE REEL (EIAJ-RRM-08Bc)

(1reel=10000pcs)



POWER DISSIPATION (DFN(PLP)1010-4)

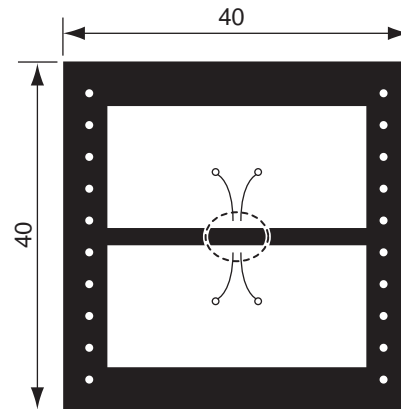
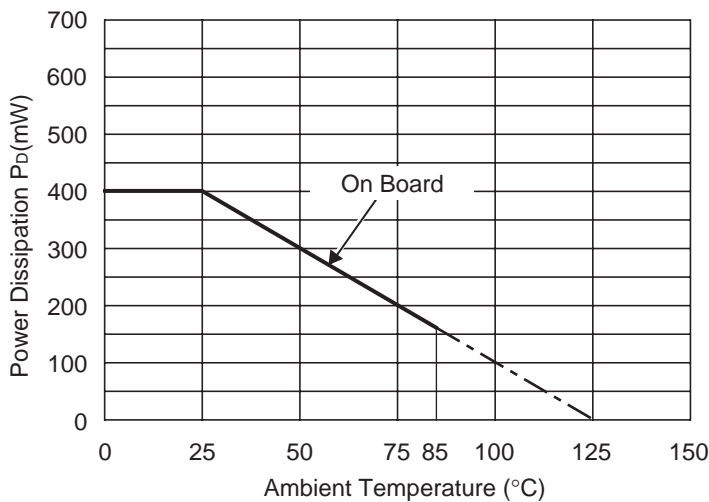
This specification is at mounted on board. Power Dissipation (P_D) depends on conditions of mounting on board. This specification is based on the measurement at the condition below:

Measurement Conditions

	Standard Land Pattern
Environment	Mounting on Board (Wind velocity=0m/s)
Board Material	Glass cloth epoxy plastic (Double sided)
Board Dimensions	40mm × 40mm × 1.6mm
Copper Ratio	Top side : Approx. 50% , Back side : Approx. 50%
Through-hole	φ0.54mm × 24pcs

Measurement Result ($T_{opt}=25^{\circ}\text{C}$, $T_{jmax}=125^{\circ}\text{C}$)

	Standard Land Pattern
Power Dissipation	400mW
Thermal Resistance	$\theta_{ja}=(125-25^{\circ}\text{C})/0.4\text{W}=250^{\circ}\text{C}/\text{W}$
Thermal Resistance	$\theta_{jc}=67^{\circ}\text{C}/\text{W}$

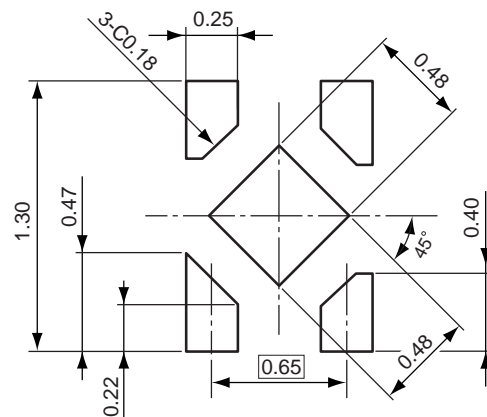


Measurement Board Pattern

○ IC Mount Area (Unit : mm)

Power Dissipation

RECOMMENDED LAND PATTERN

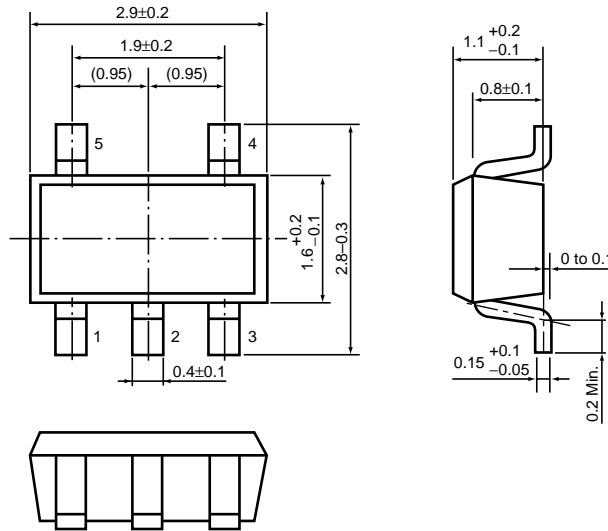


(Unit: mm)

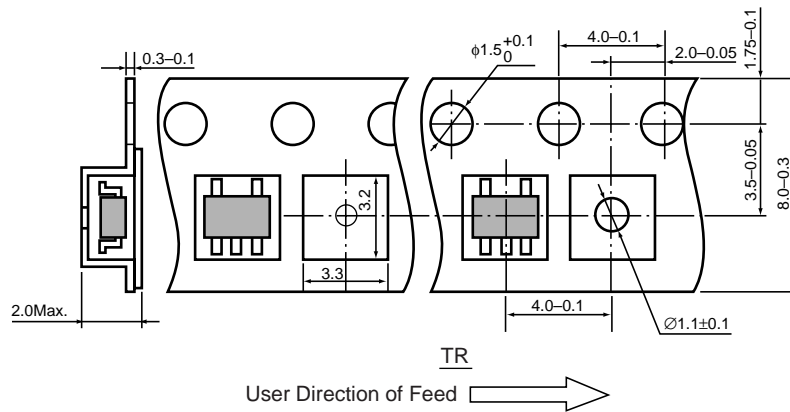
- SOT-23-5 (SC-74A)

Unit: mm

PACKAGE DIMENSIONS

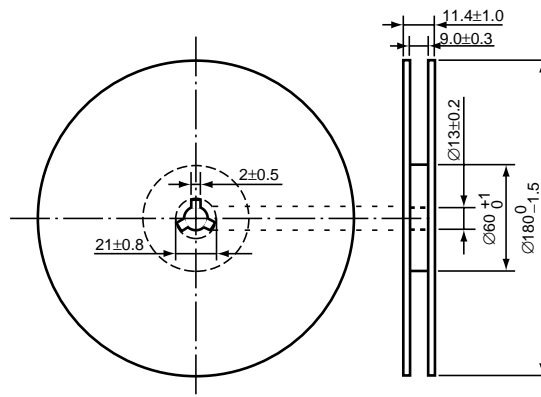


TAPING SPECIFICATION



TAPING REEL DIMENSIONS REUSE REEL (EIAJ-RRM-08Bc)

(1reel=3000pcs)



POWER DISSIPATION (SOT-23-5)

This specification is at mounted on board. Power Dissipation (P_D) depends on conditions of mounting on board.

This specification is based on the measurement at the condition below:

(Power Dissipation (SOT-23-5) is substitution of SOT-23-6.)

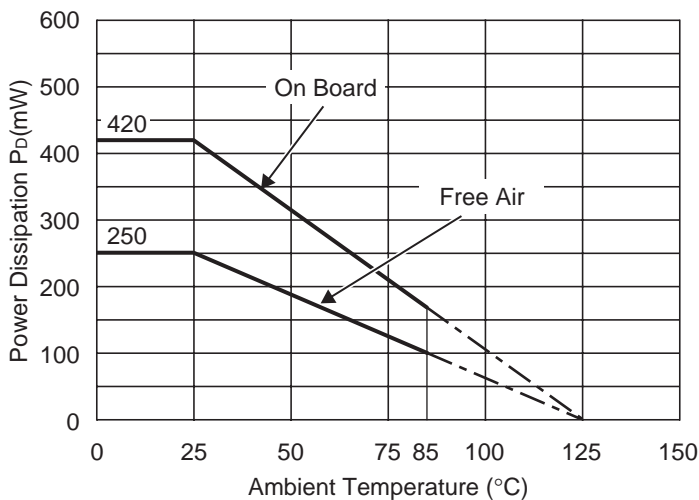
Measurement Conditions

	Standard Land Pattern
Environment	Mounting on Board (Wind velocity=0m/s)
Board Material	Glass cloth epoxy plastic (Double sided)
Board Dimensions	40mm × 40mm × 1.6mm
Copper Ratio	Top side : Approx. 50% , Back side : Approx. 50%
Through-hole	φ0.5mm × 44pcs

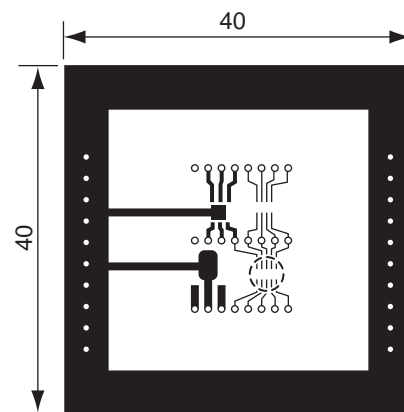
Measurement Result

($T_{opt}=25^{\circ}C$, $T_{jmax}=125^{\circ}C$)

	Standard Land Pattern	Free Air
Power Dissipation	420mW	250mW
Thermal Resistance	$\theta_{ja}=(125-25^{\circ}C)/0.42W=238^{\circ}C/W$	400 $^{\circ}C/W$



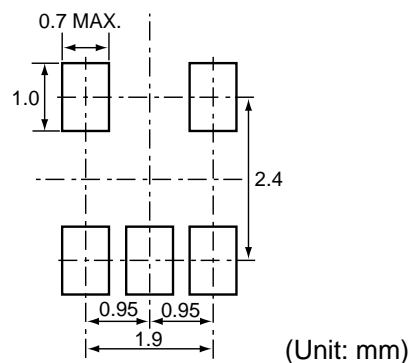
Power Dissipation



Measurement Board Pattern

○ IC Mount Area Unit : mm

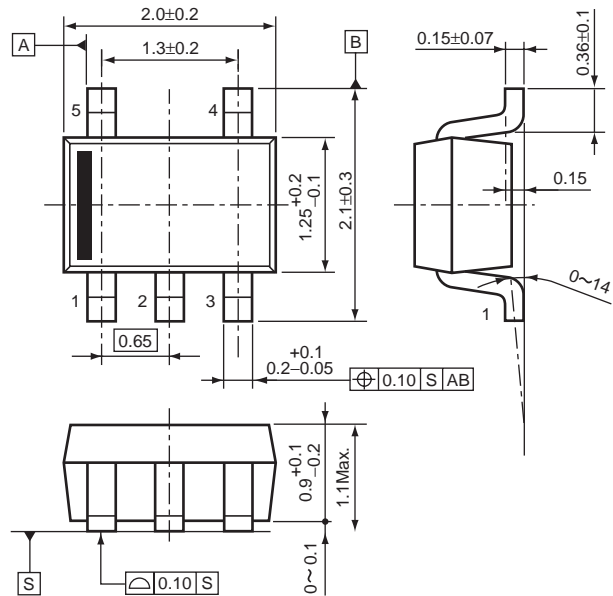
RECOMMENDED LAND PATTERN



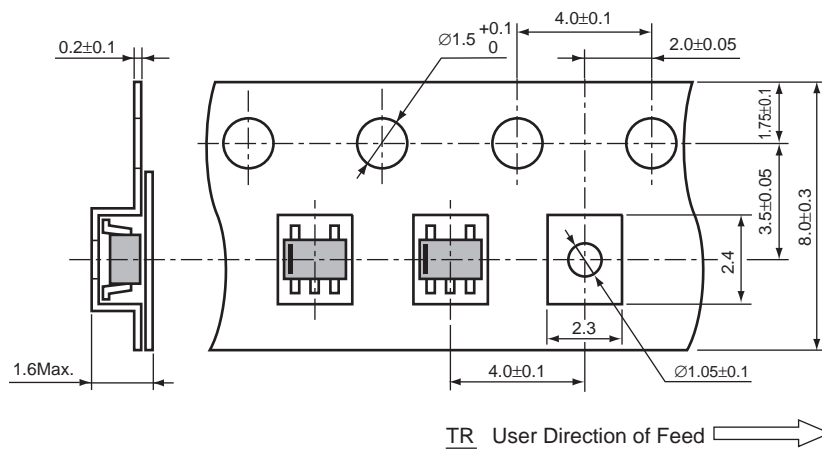
• SC-88A

Unit: mm

PACKAGE DIMENSIONS

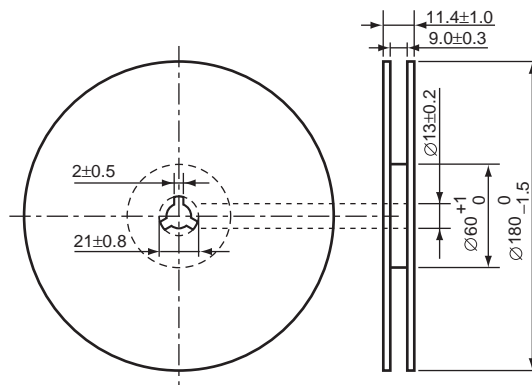


TAPING SPECIFICATION



TAPING REEL DIMENSIONS REUSE REEL (EIAJ-RRM-08Bc)

(1reel=3,000pcs)



POWER DISSIPATION (SC-88A)

This specification is at mounted on board. Power Dissipation (P_D) depends on conditions of mounting on board. This specification is based on the measurement at the condition below:

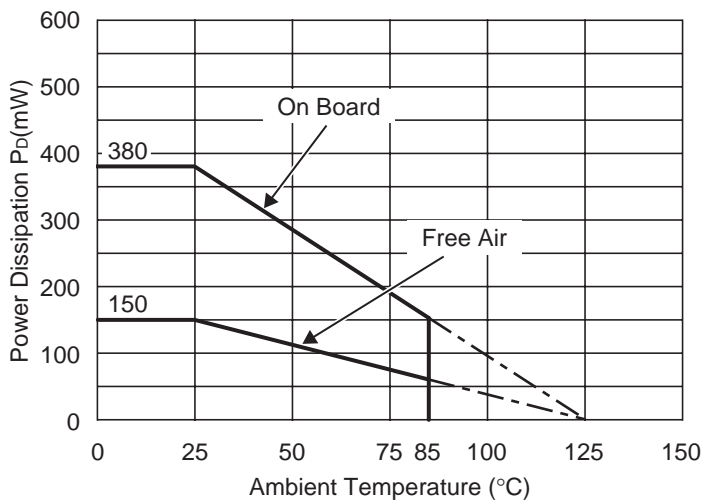
Measurement Conditions

	Standard Land Pattern
Environment	Mounting on Board (Wind velocity=0m/s)
Board Material	Glass cloth epoxy plastic (Double sided)
Board Dimensions	40mm × 40mm × 1.6mm
Copper Ratio	Top side : Approx. 50%, Back side : Approx. 50%
Through-hole	φ0.5mm × 44pcs

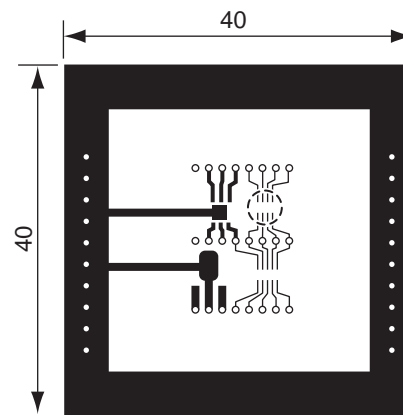
Measurement Result

($T_{opt}=25^{\circ}C$, $T_{jmax}=125^{\circ}C$)

	Standard Land Pattern	Free Air
Power Dissipation	380mW	150mW
Thermal Resistance	$\theta_{ja}=(125-25^{\circ}C)/0.38W=263^{\circ}C/W$	$\theta_{ja}=(125-25^{\circ}C)/0.15W=667^{\circ}C/W$
Thermal Resistance	$\theta_{jc}=75^{\circ}C/W$	-



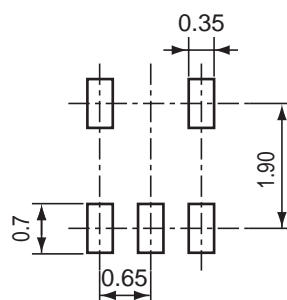
Power Dissipation



Measurement Board Pattern

○ IC Mount Area (Unit: mm)

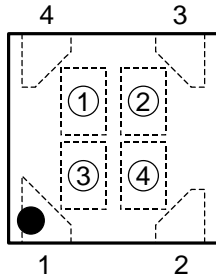
RECOMMENDED LAND PATTERN



(Unit: mm)

R3117K SERIES MARK SPECIFICATION

● DFN(PLP)1010-4



①, ② : Product Code (refer to Part Number vs. Product Code)
 ③, ④ : Lot Number

● Part Number vs. Product Code

R3117Kxx1A Series

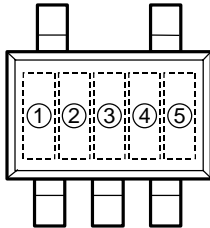
Part Number	Product Code	
	①	②
R3117K071A	1	A
R3117K081A	1	B
R3117K091A	1	C
R3117K101A	1	D
R3117K111A	1	E
R3117K121A	1	F
R3117K131A	1	G
R3117K141A	1	H
R3117K151A	1	J
R3117K161A	1	K
R3117K171A	1	L
R3117K181A	1	M
R3117K191A	1	N
R3117K201A	1	P
R3117K211A	1	Q
R3117K221A	1	R
R3117K231A	1	S
R3117K241A	1	T
R3117K251A	1	U
R3117K261A	1	V
R3117K271A	1	W
R3117K281A	1	X
R3117K291A	1	Y
R3117K301A	1	Z

R3117Kxx1C Series

Part Number	Product Code		Part Number	Product Code		Part Number	Product Code	
	①	②		①	②		①	②
R3117K071C	3	A	R3117K311A	2	A	R3117K311C	4	A
R3117K081C	3	B	R3117K321A	2	B	R3117K321C	4	B
R3117K091C	3	C	R3117K331A	2	C	R3117K331C	4	C
R3117K101C	3	D	R3117K341A	2	D	R3117K341C	4	D
R3117K111C	3	E	R3117K351A	2	E	R3117K351C	4	E
R3117K121C	3	F	R3117K361A	2	F	R3117K361C	4	F
R3117K131C	3	G	R3117K371A	2	G	R3117K371C	4	G
R3117K141C	3	H	R3117K381A	2	H	R3117K381C	4	H
R3117K151C	3	J	R3117K391A	2	J	R3117K391C	4	J
R3117K161C	3	K	R3117K401A	2	K	R3117K401C	4	K
R3117K171C	3	L	R3117K411A	2	L	R3117K411C	4	L
R3117K181C	3	M	R3117K421A	2	M	R3117K421C	4	M
R3117K191C	3	N	R3117K431A	2	N	R3117K431C	4	N
R3117K201C	3	P	R3117K441A	2	P	R3117K441C	4	P
R3117K211C	3	Q	R3117K451A	2	Q	R3117K451C	4	Q
R3117K221C	3	R	R3117K461A	2	R	R3117K461C	4	R
R3117K231C	3	S	R3117K471A	2	S	R3117K471C	4	S
R3117K241C	3	T	R3117K481A	2	T	R3117K481C	4	T
R3117K251C	3	U	R3117K491A	2	U	R3117K491C	4	U
R3117K261C	3	V	R3117K501A	2	V	R3117K501C	4	V
R3117K271C	3	W						
R3117K281C	3	X						
R3117K291C	3	Y						
R3117K301C	3	Z						

R3117N SERIES MARK SPECIFICATION

● **SOT-23-5 (SC-74A)**



① to ③ : Product Code (refer to Part Number vs. Product Code)
 ④, ⑤ : Lot Number

● **Part Number vs. Product Code**

R3117Nxx1A Series

Part Number	Product Code		
	①	②	③
R3117N071A	M	0	A
R3117N081A	M	0	B
R3117N091A	M	0	C
R3117N101A	M	0	D
R3117N111A	M	0	E
R3117N121A	M	0	F
R3117N131A	M	0	G
R3117N141A	M	0	H
R3117N151A	M	0	J
R3117N161A	M	0	K
R3117N171A	M	0	L
R3117N181A	M	0	M
R3117N191A	M	0	N
R3117N201A	M	0	P
R3117N211A	M	0	Q
R3117N221A	M	0	R
R3117N231A	M	0	S
R3117N241A	M	0	T
R3117N251A	M	0	U
R3117N261A	M	0	V
R3117N271A	M	0	W
R3117N281A	M	0	X
R3117N291A	M	0	Y
R3117N301A	M	0	Z

R3117Nxx1C Series

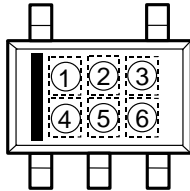
Part Number	Product Code		
	①	②	③
R3117N311A	N	0	A
R3117N321A	N	0	B
R3117N331A	N	0	C
R3117N341A	N	0	D
R3117N351A	N	0	E
R3117N361A	N	0	F
R3117N371A	N	0	G
R3117N381A	N	0	H
R3117N391A	N	0	J
R3117N401A	N	0	K
R3117N411A	N	0	L
R3117N421A	N	0	M
R3117N431A	N	0	N
R3117N441A	N	0	P
R3117N451A	N	0	Q
R3117N461A	N	0	R
R3117N471A	N	0	S
R3117N481A	N	0	T
R3117N491A	N	0	U
R3117N501A	N	0	V

Part Number	Product Code		
	①	②	③
R3117N071C	M	1	A
R3117N081C	M	1	B
R3117N091C	M	1	C
R3117N101C	M	1	D
R3117N111C	M	1	E
R3117N121C	M	1	F
R3117N131C	M	1	G
R3117N141C	M	1	H
R3117N151C	M	1	J
R3117N161C	M	1	K
R3117N171C	M	1	L
R3117N181C	M	1	M
R3117N191C	M	1	N
R3117N201C	M	1	P
R3117N211C	M	1	Q
R3117N221C	M	1	R
R3117N231C	M	1	S
R3117N241C	M	1	T
R3117N251C	M	1	U
R3117N261C	M	1	V
R3117N271C	M	1	W
R3117N281C	M	1	X
R3117N291C	M	1	Y
R3117N301C	M	1	Z

Part Number	Product Code		
	①	②	③
R3117N311C	N	1	A
R3117N321C	N	1	B
R3117N331C	N	1	C
R3117N341C	N	1	D
R3117N351C	N	1	E
R3117N361C	N	1	F
R3117N371C	N	1	G
R3117N381C	N	1	H
R3117N391C	N	1	J
R3117N401C	N	1	K
R3117N411C	N	1	L
R3117N421C	N	1	M
R3117N431C	N	1	N
R3117N441C	N	1	P
R3117N451C	N	1	Q
R3117N461C	N	1	R
R3117N471C	N	1	S
R3117N481C	N	1	T
R3117N491C	N	1	U
R3117N501C	N	1	V

R3117Q SERIES MARK SPECIFICATION

• SC-88A



① to ④ : Product Code (refer to Part Number vs. Product Code)
 ⑤, ⑥ : Lot Number

• Part Number vs. Product Code

R3117Qxx2A Series

Part Number	Product Code			
	①	②	③	④
R3117Q072A	A	0	0	1
R3117Q082A	A	0	0	2
R3117Q092A	A	0	0	3
R3117Q102A	A	0	0	4
R3117Q112A	A	0	0	5
R3117Q122A	A	0	0	6
R3117Q132A	A	0	0	7
R3117Q142A	A	0	0	8
R3117Q152A	A	0	0	9
R3117Q162A	A	0	1	0
R3117Q172A	A	0	1	1
R3117Q182A	A	0	1	2
R3117Q192A	A	0	1	3
R3117Q202A	A	0	1	4
R3117Q212A	A	0	1	5
R3117Q222A	A	0	1	6
R3117Q232A	A	0	1	7
R3117Q242A	A	0	1	8
R3117Q252A	A	0	1	9
R3117Q262A	A	0	2	0
R3117Q272A	A	0	2	1
R3117Q282A	A	0	2	2
R3117Q292A	A	0	2	3
R3117Q302A	A	0	2	4

Part Number	Product Code			
	①	②	③	④
R3117Q312A	A	0	2	5
R3117Q322A	A	0	2	6
R3117Q332A	A	0	2	7
R3117Q342A	A	0	2	8
R3117Q352A	A	0	2	9
R3117Q362A	A	0	3	0
R3117Q372A	A	0	3	1
R3117Q382A	A	0	3	2
R3117Q392A	A	0	3	3
R3117Q402A	A	0	3	4
R3117Q412A	A	0	3	5
R3117Q422A	A	0	3	6
R3117Q432A	A	0	3	7
R3117Q442A	A	0	3	8
R3117Q452A	A	0	3	9
R3117Q462A	A	0	4	0
R3117Q472A	A	0	4	1
R3117Q482A	A	0	4	2
R3117Q492A	A	0	4	3
R3117Q502A	A	0	4	4

R3117Qxx2C Series

Part Number	Product Code			
	①	②	③	④
R3117Q072C	B	0	0	1
R3117Q082C	B	0	0	2
R3117Q092C	B	0	0	3
R3117Q102C	B	0	0	4
R3117Q112C	B	0	0	5
R3117Q122C	B	0	0	6
R3117Q132C	B	0	0	7
R3117Q142C	B	0	0	8
R3117Q152C	B	0	0	9
R3117Q162C	B	0	1	0
R3117Q172C	B	0	1	1
R3117Q182C	B	0	1	2
R3117Q192C	B	0	1	3
R3117Q202C	B	0	1	4
R3117Q212C	B	0	1	5
R3117Q222C	B	0	1	6
R3117Q232C	B	0	1	7
R3117Q242C	B	0	1	8
R3117Q252C	B	0	1	9
R3117Q262C	B	0	2	0
R3117Q272C	B	0	2	1
R3117Q282C	B	0	2	2
R3117Q292C	B	0	2	3
R3117Q302C	B	0	2	4

Part Number	Product Code			
	①	②	③	④
R3117Q312C	B	0	2	5
R3117Q322C	B	0	2	6
R3117Q332C	B	0	2	7
R3117Q342C	B	0	2	8
R3117Q352C	B	0	2	9
R3117Q362C	B	0	3	0
R3117Q372C	B	0	3	1
R3117Q382C	B	0	3	2
R3117Q392C	B	0	3	3
R3117Q402C	B	0	3	4
R3117Q412C	B	0	3	5
R3117Q422C	B	0	3	6
R3117Q432C	B	0	3	7
R3117Q442C	B	0	3	8
R3117Q452C	B	0	3	9
R3117Q462C	B	0	4	0
R3117Q472C	B	0	4	1
R3117Q482C	B	0	4	2
R3117Q492C	B	0	4	3
R3117Q502C	B	0	4	4